

DH-MPT300

Law-enforcement Video Recorder



- H.264 dual-stream video compression
- Up to 25fps@1080P resolution recording
- Support “one-button” to start record, take photos, alarm and group talk
- HD LCD, Support touch screen
- Support hot-swap SD card storage
- Wireless access: Wi-Fi ,4G (optional), 3G(optional)
- Support Global Positioning System (GPS)
- Support Bluetooth, fingerprint identification, license plate recognition



System Overview

MPT300 is a mobile portable terminal which can be used as a law-enforcement video recoder. this device support one button to start 1080P high-definition real-time recording, and all the information such as GPS and video can be uploaded to VMS by wireless network: 3G/4G/WIFI. It can also support audio communication between devices in one group. Now there are 3 different models:MPT300/MPT300WA/MPT300LT.

- 1) MPT300: WiFi/Bluetooth, no 3G/4G module included.
- 2) MPT300-WA: 3G/WiFi/Bluetooth
HSPA+/UMTS quad-band 850/900/1900/2100 MHz
GSM/GPRS quad-band 850/900/1900/2100 MHz
- 3) MPT300-LT: 4G/3G/WiFi/Bluetooth
LTE (FDD) B1/B2/B3/B5/B7/B8/B20
DC-HSPA+/HSPA+/HSPA/UMTS dual-band B1/B2/B5/B8
EDGE/ GPRS/ GSM quad-band 850/900/1800/1900MHz

This individual portable audio&video recorder designed for particular fields or departments, such as police, military, urban management, forensic,insurance, energy resources and etc.

Functions

One button recording and remote live monitor
Press one button to trigger to start audio or video recording, and with wireless network, the video can be sent to VMS, and on VMS client, it can do remote live monitor.

Group talk

Administrator can build groups and add different users into one group, users can talk and send message to other members in this group.

3G/4G/WIFI

Embedded with 3G/4G/WIFI module, the device can register into a public network to connect with VMS, and can send all the information(video/audio/alarm/gps) through wireless network.

GPS

Embedded GPS module can receive location information and upload to VMS, and the user can be tracked on the electric map of VMS.

Alarm push

When in emergency, users can press the alarm button to trigger an alarm and send to VMS, besides, with the gravity sensor, it can also trigger an alarm when the device falls down.

Technical Specification

System

Main Processor	1.2G dual core CPU
Operating System	Android 4.1

Lens

Focal Length	3.85mm
Wide-angle	72.9°±2°
Aperture	F2.2
Auto Focus / AWB	Auto

Video

Compression	H.264
Record Resolution	1080P:25fps; 720P/D1/VGA/CIF:30fps

Snapshot

Support; Max. resolution:3264*2448

Audio

Compression	G711a
Two-way talk	1.5W loudspeakers, support PTT

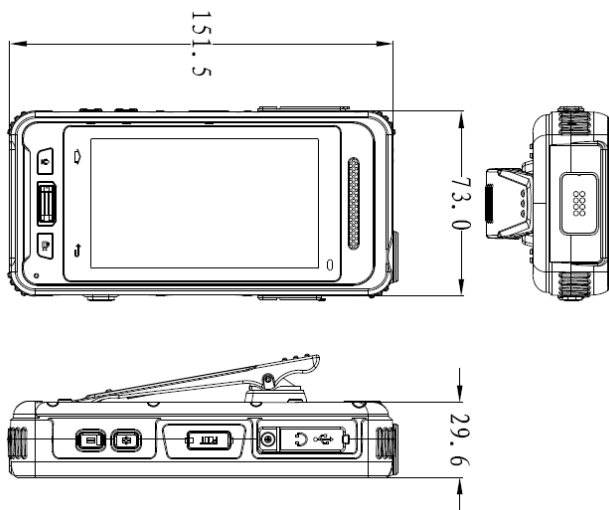
LCD

Dimension	4.0 inch TFT LCD, support touch screen
Resolution	854*480
Brightness	Automatic control

Network

Positioning system	GPS
Wireless Access	Bluetooth, WiFi,3G(optional),4G(optional) MPT300 support WiFi/Bluetooth MPT300WA support 3G/WiFi/Bluetooth MPT300LT support 4G/3G/WiFi/Bluetooth

Dimensions (mm)



Battery

Capacity	4000mAh
Standby Time	≥140 h
Charging Time	4~6h
Battery Capacity Threshold Alarm	When battery left power is less than 14%, the buzzer begins beeping regularly to alert you to recharge
LCD Power Management	System can automatically shut down LCD power after the MPT stopped operation for specified time such as ten seconds (adjustable)
Installation	Build-in, replaceable

Storage

Flash	32G
TF Card	Support TF card to expand storage

Auxiliary Interface

Display Interface	1 HDMI
USB Interface	Mini USB2.0 high-speed interface
Headphone Interface	3.5mm
Extended Interface	Support RS232, external camera access

General

Dimension	151 mm× 73 mm× 29.5mm
Weight	340g
Ingress Protection	IP67
Working Environment	-10°C ~+50°C / 10%~90%RH

Certifications

CE	FCC
----	-----