

# DH-PFM889-O/OA/OM

## Outdoor Wireless AP



### Features

- Supports 2.4GHz/5GHz dual band (DH-PFM889-O works in 2.4GHz only)
- Supports 802.11ac standard and 2x2 MIMO (DH-PFM889-O works in 802.11n only)
- Wireless Coverage: 0~150m (open space)
- Supports multiple working mode: Access Point, Station, WDS AP, WDS Station
- Use the wireless multimedia optimization shaping technology, which ensures the stability of video transmission
- Supports wireless load balance
- Supports dual firmware backup
- Supports remote configuration and update by AC
- Supports SNMP management

### Specifications

Model	DH-PFM889-O	DH-PFM889-OA	DH-PFM889-OM
<b>Wireless Features</b>			
Wireless Standard	IEEE802.11 b/g/n	IEEE802.11 a/n/ac IEEE802.11 b/g/n	IEEE802.11a/n/ac IEEE802.11 b/g/n
Working Frequency	2412~2472MHz (extended range: 2312~2732MHz)	5G: 5745~5825MHz (extended range: 4920~6100MHz) 2.4G: 2412~2472MHz (extended range: 2312~2732MHz)	5G: 5745~5825MHz (extended range: 4920~6100MHz) 2.4G: 2412~2472MHz (extended range: 2312~2732MHz)

## DH-PFM889-O/OA/OM

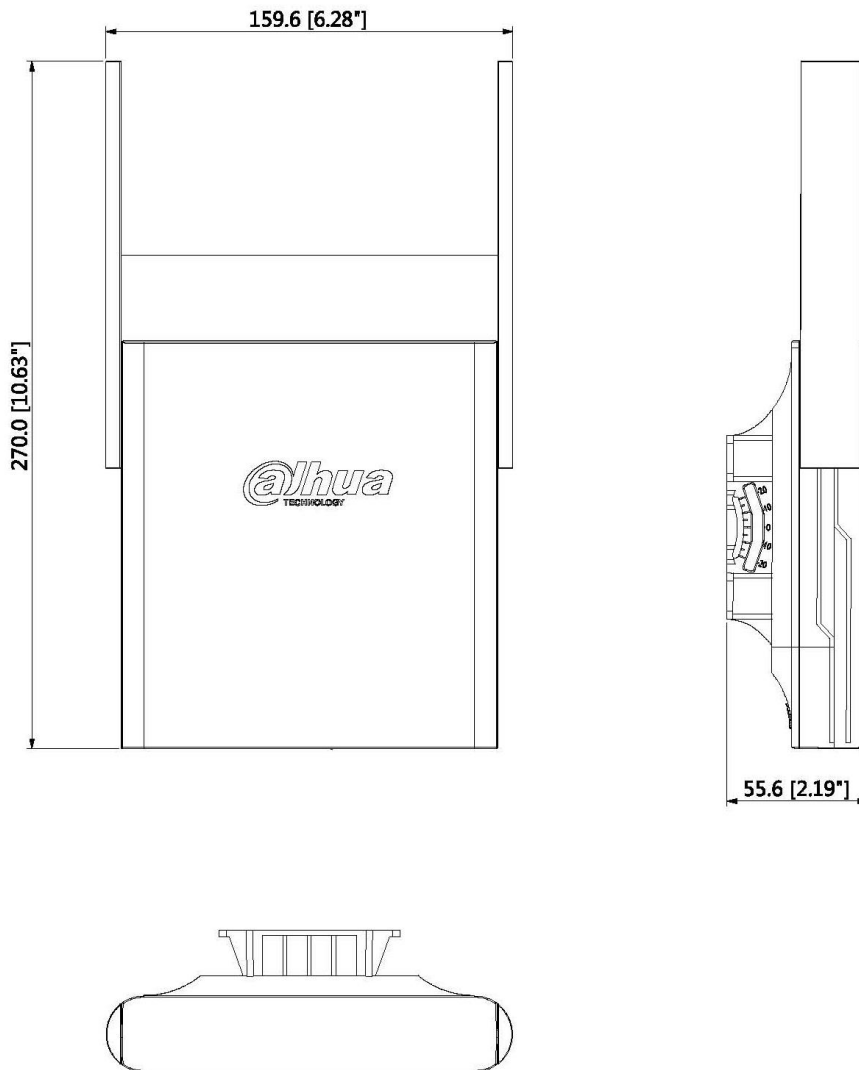
Wireless Speed	300Mbps	2.4G: 300Mbps 5G: 867Mbps	2.4G: 300Mbps 5G: 867Mbps
Modulation Mode	OFDM		
Antenna	Omni-directional, single band, 3dBi	Omni-directional, dual band, 3dBi	2.4G: Omni-directional, 3dBi 5G: Directional, 16dBi
Output Power	27dBm		
Receiving Sensitivity	11b: 1 Mbps - 93dBm 11 Mbps -87dBm 11g: 6Mbps -91 dBm 11n: MCS0 -85 dBm 36Mbps-78dBm MCS4-73dBm 54Mbps-72dBm MCS7-67dBm	11a: 6Mbps-71dBm 11g: 54Mbps-71dBm 11gn: MCS0/7HT20 - 67dBm 11an: MCS0/7- 67dBm 11ac: MCS9 HT20-54 dBm	11a: 6Mbps-91dBm 54Mbps-72dBm 11b: 1Mbps-93dBm 11g: 6Mbps-91dBm 54Mbps-72dBm 11n: MCS0/8 HT20-85 dBm MCS7/15 HT20-67dBm MCS0/8 HT40-82dBm MCS7/15 HT40-64dBm 11ac: MCS0/10 HT20 - 85dBm MCS9/19 HT20-60dBm MCS0/10 HT80-79dBm MCS9/19 HT80-54dBm
Transmission Distance	150m (Open space)		
Wireless Direction Angle	Omni-directional	Omni-directional	2.4G: Omni-directional 5G: Horizontal/vertical 38°
<b>Hardware</b>			
Power	1*PoE RJ45 (IN: 220V, OUT: 48V/0.5A)、1*LAN RJ45(1Gbps) DC:24~48V		
Power Consumption	≤6W	≤25W	≤25W
Ethernet Port	3×10/100M Base-TX (Cat. 5/5E, RJ-45)	2×10/100M /1000MBase-TX (Cat. 5/5E, RJ-45)	2×10/100M /1000MBase-TX (Cat. 5/5E, RJ-45)
Working Temperature	-30℃~70℃		
Storage Temperature	-40℃~+80℃		
Working Humidity	5%~95%RH( no condensation)		
Equipment Dimension	160mm×160mm×55mm		
Equipment Weight	0.4kg		
<b>Software</b>			
Encryption Type	WPA-PSK/WPA2/CCMP(AES)/TKIP		

## DH-PFM889-O/OA/OM

Network Mode	Route/Network Bridge		
Working Mode	Access Point, Station, WDS AP, WDS Station		
Security Mechanism	IP/MAC address filtering, hide network name and etc.		
Network Protocol	TCP/UDP/ARP/ICMP/DHCP/HTTP/NTP		
TDMA Enhancement	Support		
Auto ACK Timing Adjustment	Support		
Management and Log	NTP, Syslog, Telnet, AC, SNMP		
Webpage Configuration Management	Supports web configuration, managed by AC, SNMP		
Firmware Update	Support Firmware webpage update and AC remote upgrade		
Bandwidth Flexible Configuration	20M/40MHz	10M/20M/40M/80MHz	10M/20M/40M/80MHz

### Dimension (mm)

# DH-PFM889-O/OA/OM

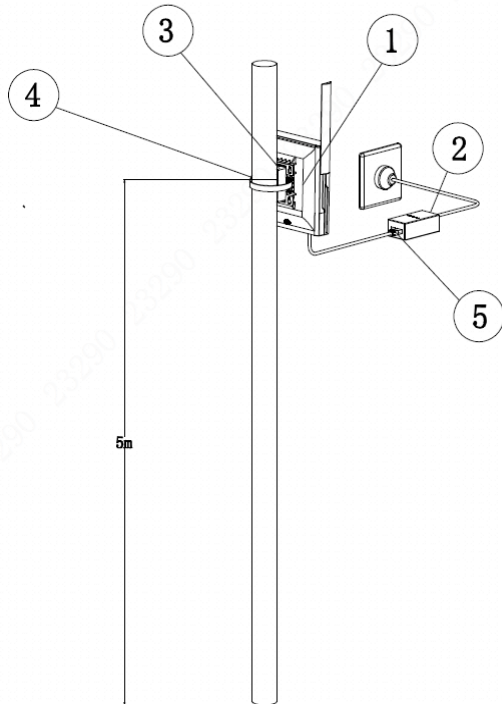


## Application Scenarios

## DH-PFM889-O/OA/OM

- Wireless coverage in outdoor environment

### Connection Mode



1. DH-PFM889-A/OA/OM outdoor wireless AP
2. PoE power supply
3. Brackets
4. Hoop
5. Ethernet ports in PoE adapter to connect to IP cameras

**Note:**

Recommended installation height is 5 meters but it depends on the actual environment.

---

### Dahua Technology Co., Ltd.

1199 BinAn Road, Binjiang District, Hangzhou, China

Tel: +86-571-87688883

Fax: +86-571-87688815

Email: [overseas@dahuatech.com](mailto:overseas@dahuatech.com)

[www.dahuasecurity.com](http://www.dahuasecurity.com)

\*Design and specifications are subject to change without notice.

© 2016 Dahua Technology Co., Ltd.