

DH-HAA120

Patch Cord



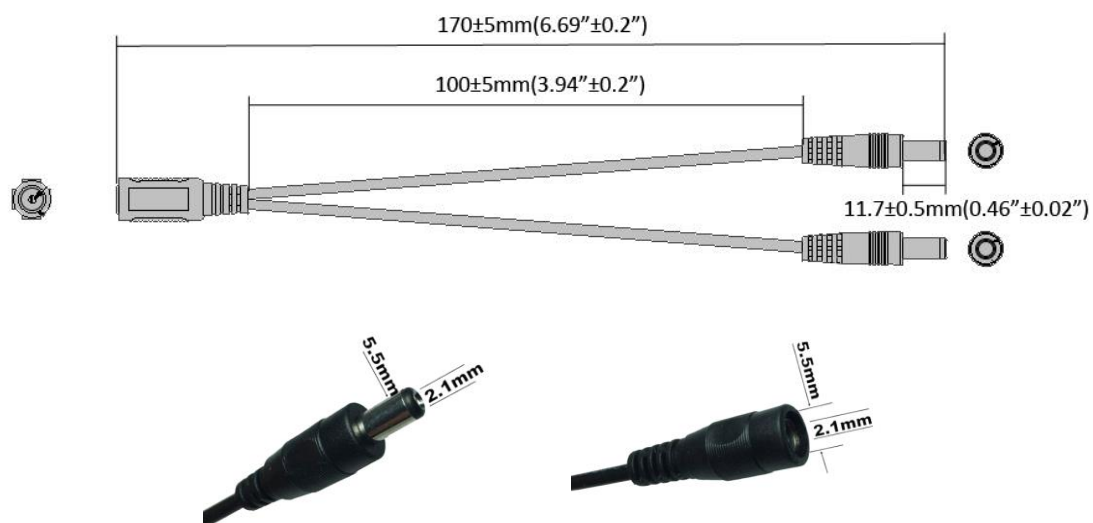
Features

- 1 DC female to 2 DC male power splitter cable, $\Phi 5.5 \times \Phi 2.1$;
- Convenient and cost effective way to power up 2 devices with 1 power adapter.

Technical Specifications

Model		DH-HAA120
Structure Parameter		
Conductor	AWG	26AWG
	Material	Tinned copper TC
	Size	7/0.16 \pm 0.008mm
Insulation	Min. average Thickness	0.38mm
	Material	45P PVC
	Outer Diameter	1.3 \pm 0.10mm
Length		170 \pm 5mm(6.69" \pm 0.2")
Color		Black
Rated Temperature		80°C(176°F)
Rated Voltage		300V
Flame rating		VW-1
Conductor Resistance		$\leq 2\Omega$
Insulation Resistance		$\geq 20M\Omega$

Dimensions (mm/inch)



Package Information

- Patch cord *1