

DH-UZ5+

5MP USB Camera



- High definition image sensor
- USB connection & easy operation
- UVC protocol & high compatibility
- Far-field pickup, beamforming, noise reduction



Technical Specification

Camera

Sensor Type	1/4 inch 5.0 Mega Pixels CMOS
Effective Pixels	2592 (H) × 1944 (V)
Electronic Shutter	1/15–1/100000 s
White Balance	Support
Coding Format	H.264/MJPEG/YUV
Video Frame Rate	H.264: (1080p @5 fps–30 fps; 720p @5 fps–30 fps; VGA @5 fps–30 fps); MJPEG: (5M @24 fps; 4M @5 fps–30 fps; 1080p @5 fps–30 fps; 720p @5 fps–30 fps; VGA @30 fps); YUV: (5M @2 fps; 4M @2 fps; 1080p @5 fps; 720p @5 fps–10 fps; VGA @5–30 fps)
Video Resolution	2592 × 1944
Video Delay	≤ 120 ms
Image Saturation	100%–130%
Signal to Noise Ratio	≥65 dB
Video Output	USB1.1; USB2.0; UVC1.0/1.1/1.5
Noise Reduction	Support
Auto Focus	Support auto focus within 0.1–5 m (0.33–16.4 ft)
Drive	Adaptive to various operation systems such as Windows, Linux, Mac OS and Android without any drive

Lens

Lens Type	3.6 mm
Distortion	<1%
Close Focus Distance	0.1 m (0.33 ft)
Field of View	5M: D: 72.5°; H: 61°; V: 47° 4M: D: 68°; H: 61°; V: 38° 1080p: D: 68°; H: 61°; V: 38°

Mic

Position	Built-in mic
----------	--------------

Quality of Sounds	Clear and non-interrupt within 5 m (16.4 ft)
Type	2 mics picking up sounds from all directions
Directional Sound Pickup	Support beamforming
Noise Reduction	Support audio noise reduction
Audio Coding Format	16 bit PCM

General

Power Supply	USB 5V
Power Consumption	2W max
Working Temperature	–10°C to 50°C (–14°F to 122°F)
Lasting Working Hours	≥ 72 h (working normally)
Working Humidity	< 95% (no condensation)
Size	116.4 mm × 57.1 mm × 48.3 mm (4.58" × 2.25" × 1.9")
Adjustable Angle	Pan: 0°–360°; Tilt: 0°–90°
Weight	0.085 kg (0.19 lb)
Material	Plastic main body and pedestal
Status Light	Red & blue status indicators. Red: power on; Blue: video on
Privacy Mask	Support privacy mask on/off switch

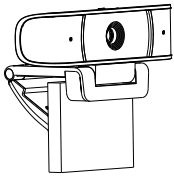
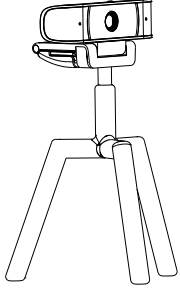
USB Port

Type	Interface for data and power
Interface	USB2.0
Length of USB Port Line	2.1 m (6.89 ft)

Ordering Information

Type	Model	Description
USB Camera	DH-UZ5+	5MP USB Camera

Installation

Clamp Mount	Bracket Mount
	

Dimensions (mm[inch])

