



Bullet Network Camera

Application Quick Start Guide



Table of Contents

1 Operating with DMSS	1
2 Installation	3
2.1 Packing List	3
2.2 Dimensions	3
2.3 Installing Camera	4
2.3.1 Installation Method	4
2.3.2 Installing SD Card	4
2.3.3 Attaching Camera	4
2.3.4 (Optional) Installing Waterproof Connector	6
2.3.5 Adjusting Lens Angle	6

1 Operating with DMSS

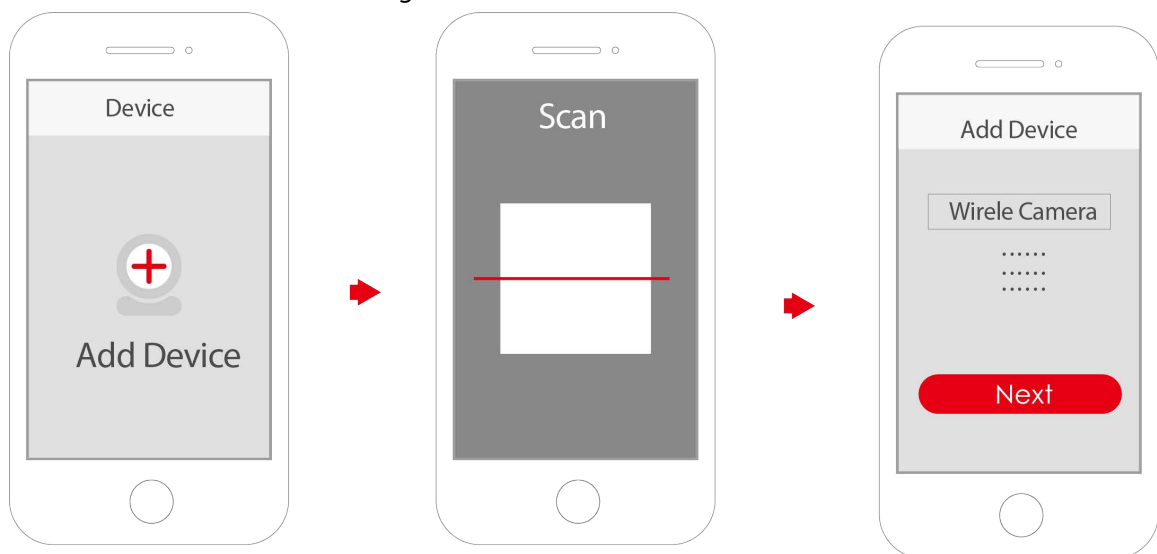


Make sure that there are no obstacles and electromagnetic interference between the device and the router for best possible wireless performance.

Step 1 Add the device.

- 1) Tap + button on the upper-right corner of the DMSS home page to scan the QR code on the camera. If your DMSS fails to scan the QR code, tap **Manually enter SN**.
- 2) Select **Wireless Camera**.

Figure 1-1 Add the device



Step 2 Configure the device hotspot.



If you connect the device with Ethernet cable, please jump to [Step4](#) directly.

- 1) Make sure that the device is connect to power and enable device hotspot, and then click **Next**.
- 2) Go to Wi-Fi settings of your mobile phone, connect hotspot named DAP-xxxxxxx.
- 3) Create the username and password for the device and then tap **Next**.

Figure 1-2 Configure the device hotspot



Step 3 Configure the Wi-Fi.

Select your Wi-Fi network from SSID list and then enter the password.

Step 4 Configure the device information.

- 1) Create the device name and password.
- 2) Set the time zone and then click **Done**.

Figure 1-3 Configure the device information



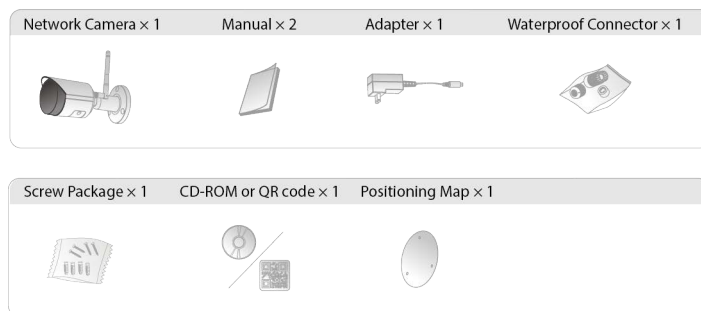
2 Installation

2.1 Packing List



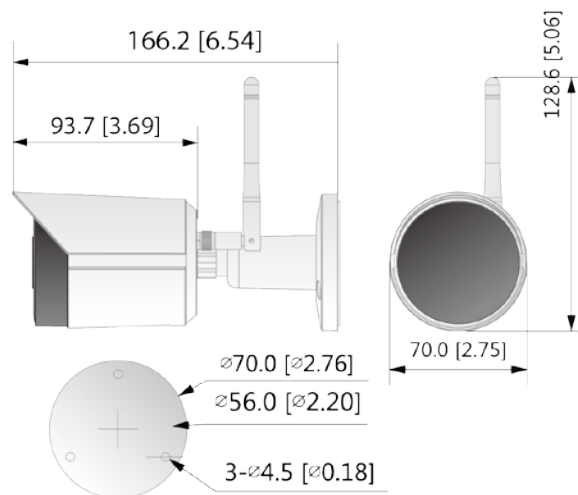
- The tool required for the installation such as electric drill is not provided in the package.
- The operation manual and related tool information are contained in the disk or the QR code.

Figure 2-1 Dimensions (mm [inch])



2.2 Dimensions

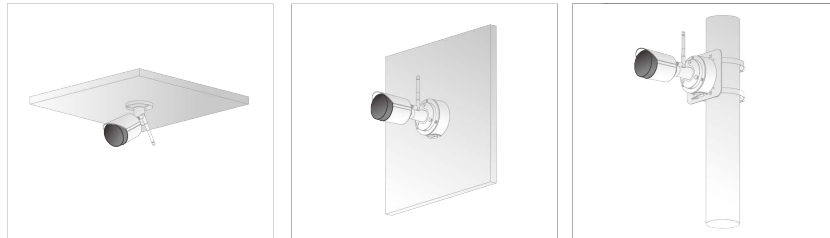
Figure 2-2 Dimensions (mm [inch])



2.3 Installing Camera

2.3.1 Installation Method

Figure 2-3 Installation method



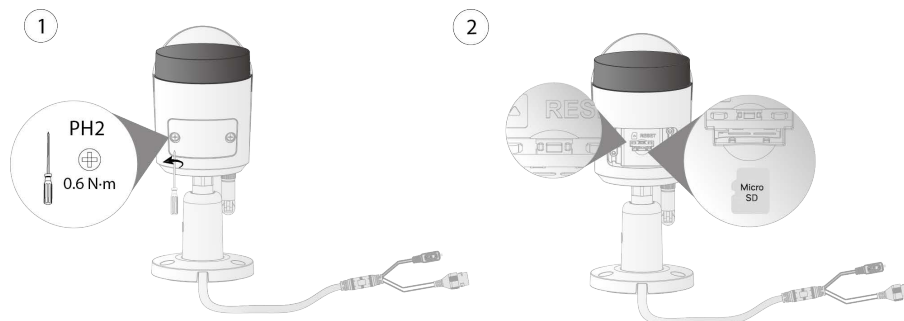
2.3.2 Installing SD Card

- SD card slot is available on select models.
- Disconnect the power before installing or removing the SD card.



Press the reset button for 10 seconds to reset the device.

Figure 2-4 Install SD card



2.3.3 Attaching Camera



- Make sure that the mounting surface is strong enough to hold at least three times the weight of the camera and bracket.
- Remove the protective film after finishing installation.

Figure 2-5 Cable going through the side cable tray

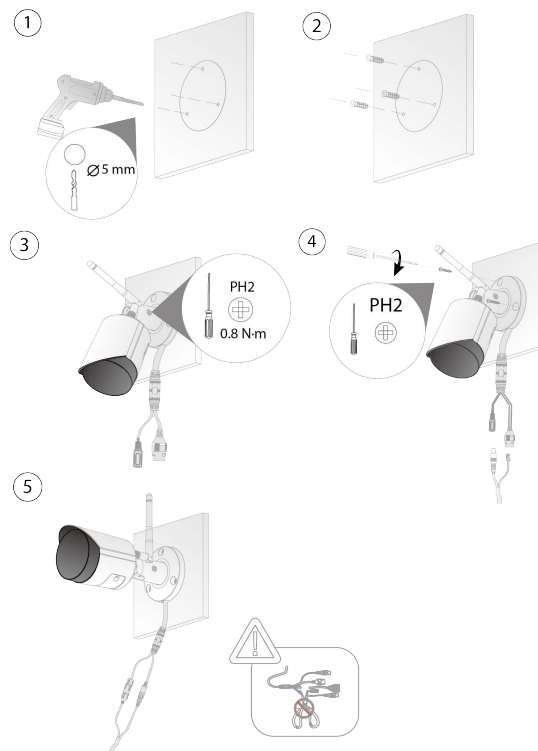
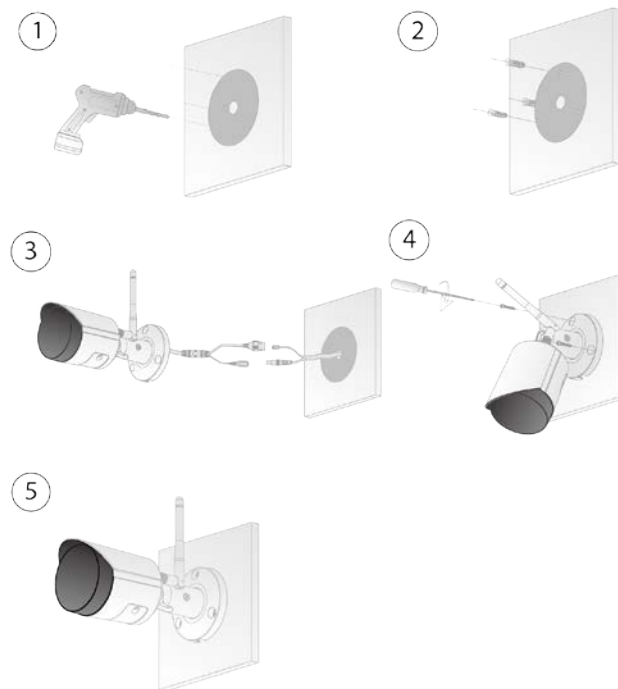


Figure 2-6 Cable going through the mounting surface

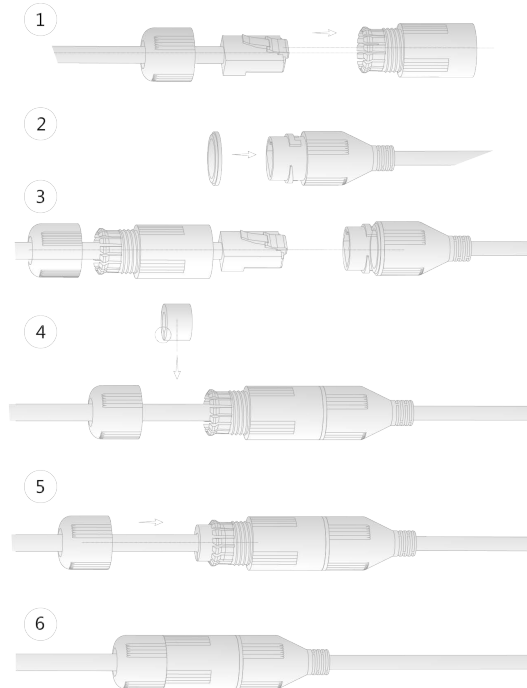


2.3.4 (Optional) Installing Waterproof Connector



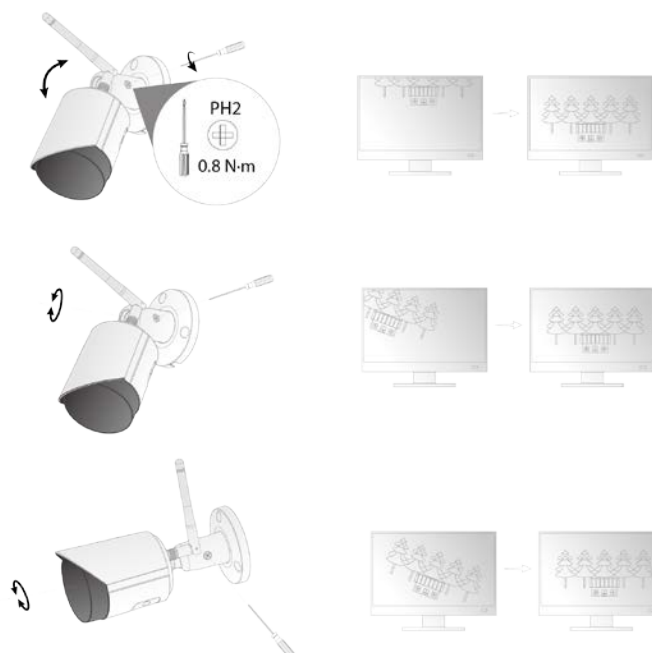
This part is needed only when a waterproof connector comes with the camera and the camera is used outdoors.

Figure 2-7 Install waterproof connector



2.3.5 Adjusting Lens Angle

Figure 2-8 Adjust lens angle



ENABLING A SAFER SOCIETY AND SMARTER LIVING

ZHEJIANG DAHUA VISION TECHNOLOGY CO., LTD.

Address: No.1199 Bin'an Road, Binjiang District, Hangzhou, P. R. China | Website: www.dahuasecurity.com | Postcode: 310053

Email: overseas@dahuatech.com | Fax: +86-571-87688815 | Tel: +86-571-87688883