

# DHI-ARD1233

## PIR Detector



- RF interference is prevented from affecting PCB
- Automatic temperature compensation
- Detection angle up to 90°
- IR detection distance up to 12 m

### System Overview

PIR Detector brings elegance and protection into one device that quickly detects and responds to intrusions, triggering alarms. It supports two alarm output modes (normally open and normally closed), and anti-demolition detection. Its in-built circuit has many functions, such as anti-RF interference and automatic temperature compensation. The detection distance can reach up to 12 m and the angle range can reach up to 90°.

### Scene

It is suitable for the security guard of positions such as balcony, window and corridor.

### Technical Specification

#### Function

Tamper	NC output, dry contact (contact capacity: 28 VDC, 80 mA)
--------	--

#### General

Power Supply	9–24 VDC
Operating Temperature	–10 °C to +55 °C (+14 °F to +131 °F)
Operating Humidity	≤95% (RH)
Product Dimensions	45 mm × 35 mm × 99 mm (1.77" × 1.38" × 3.9")
Packaging Dimensions	102 mm × 46 mm × 100 mm (4.02" × 1.81" × 3.94") (L × W × H)
Net Weight	50 g (0.11 lb)
Installation	Wall mount (2.2 m/7.22 ft)
Casing Material	Fireproof ABS

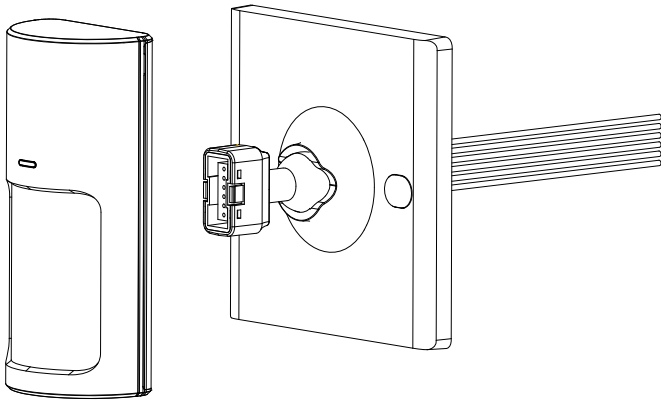
### Technical

Operating Current	≤25 mA
Relay	NC in default, NO optional (contact capacity: 28VDC/80mA)
Detection Speed	0.3-3 m/s (0.98 ft/s-9.84 ft/s)
Detection Range	90°/12 m

### Ordering Information

Type	Model	Description
PIR Detector	DHI-ARD1233	RF interference is prevented from affecting PCB Automatic temperature compensation IR detection distance up to 12 m Detection angle up to 90° Tamper detection For indoors: –10 °C to +55 °C (+14 °F to +131 °F)

Installation



Dimensions (mm[inch])

