

# DHI-ARM2C0-P-W(868)

## Alarm Expansion Module



### Series Overview

Alarm Expansion Module is mainly used to connect wireless devices to a wired control panel, it communicates with wireless devices via 868 MHz RF signal, and communicates with wired control panel via wired network signal, which makes the installation and deployment of the security system more convenient and lower cost, especially suitable for some projects that have been completed but need to increase zones later.

### Scene

Ideal for use in shops, villas, office buildings and more.

### Technical Specification

#### Port

Alarm Input	2-channel dry contact input onboard Multiple types of zone loops: NO/NC, 1EOL, 2EOL, 3EOL 3 EOLR values: 2.7 K, 4.7 K and 6.8 K
Alarm Output	2-channel relay output onboard (≤30 VDC, 1 A, resistive load only)
Wireless Peripheral	A single module supports up to 16 wireless peripherals, including sirens (no more than 6), detectors (door detectors, IR, panic buttons, single-channel input modules), and keyfobs.
Network Port	10 Mbps/100 Mbps self-adaptive Ethernet port, standard PoE

#### Function

Indicator Light	3x Power supply indicator: Red Wireless connection indicator: Green Pairing indicator: Green
Button	2x, a pairing button and a button to restore the device to its factory settings
Offline Cache	Max. 1024 buffer data
Remote Update	Yes
Network Protocol	TCP/IP

- 12 VDC and standard PoE power supply.
- 2-channel alarm input onboard, and 2-channel relay output onboard.
- Multiple types of zone loops such as NO/NC, 1EOL, 2EOL, and 3EOL.
- Supports 3 EOLR values (2.7 K, 4.7 K, and 6.8 K).
- Converts the wireless data form wireless peripherals into TCP/IP net working data sent to the wired control panel.
- Supports up to 1024 event buffers when the connection with the control panel is lost.
- Remote update.

Tamper	Case tamper detection
Signal Strength	Detects the wireless signal strength through the alarm controller webpage
Power Failure Protection for Configured Parameters	Yes

#### Technical

Scenario	Indoors
Operating Current	130 mA
Alarm Current	160 mA

#### Wireless

Carrier Frequency	868.0 MHz–868.6 MHz
Communication Mechanism	Two-way communication
Communication Distance	Up to 2 km (6,561.68 ft) in an open space
Encryption Mode	AES128
Frequency Hopping	Yes

#### General

Power Supply	12 VDC/PoE (802.3af)
Operating Temperature	−10 °C to +55 °C (+14 °F to +131 °F)
Operating Humidity	10%–90% (RH)
Product Dimensions	126.0 mm × 57.0 mm × 33.2 mm (4.96" × 2.24" × 1.31")
Net Weight	230 g (0.51 lb)
Gross Weight	380 g (0.84 lb)
Installation	Wall mount
Casing Material	Electro-galvanized sheet
Certifications	CE
Anti-corrosion Level	Basic Protection

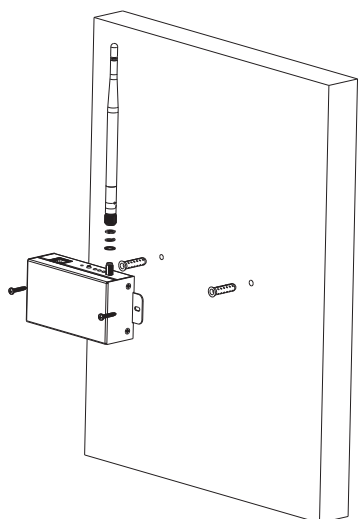
# DHI-ARM2C0-P-W(868)

Storage Temperature	-10 °C to +55 °C (+14 °F to +131 °F)
Storage Humidity	10%–90% (RH)
Packaging Dimensions	187.0 mm × 164.0 mm × 58.0 mm (7.36" × 6.46" × 2.28")

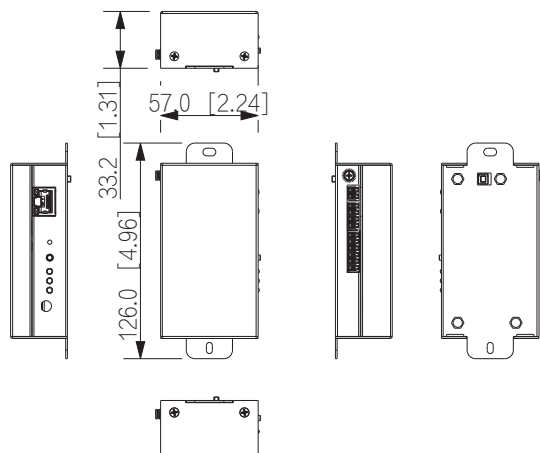
## Ordering Information

Type	Part Number	Description
Alarm Expansion Module	DHI-ARM2C0-P-W(868)	Alarm Expansion Module

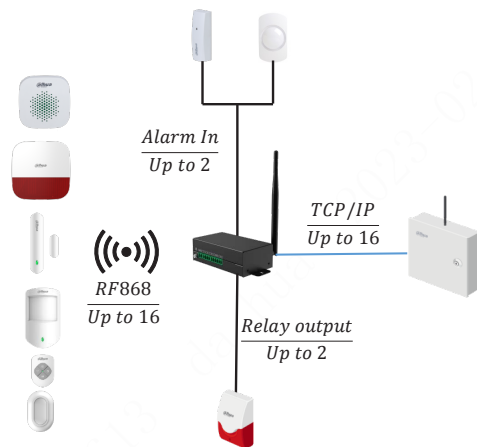
## Installation



## Dimensions (mm[inch])



## Application



- Network cable
- The signal line
- (((•))) Sub1g