

# DH-H3AE

## 3 MP Indoor Fixed-focal Wi-Fi Pan & Tilt Network Camera



- 3-MP 1/3.2" CMOS image sensor, low luminance, and high definition image.
- Outputs max. 3 MP (2304 × 1296)@25/30 fps.
- H.265 codec, high compression rate, ultra-low bit rate.
- Built-in IR LED, and the max. IR illumination distance is 10 m.
- Supports max. 256 G Micro SD card; built-in Mic; built-in speaker.
- 5 VDC power supply.
- Supports Wi-Fi.
- Supports motion detection, human detection.



### Series Overview

Dahua Wireless series cameras are not only easy to install and operate, but also perform outstandingly and cost-effective. They provide full coverage of a scene with 3 MP resolution, 0° to 355° pan and -5° to 80° tilt. Their powerful functions, such as human detection and auto-tracking, assist with the accurate detection and continuous tracking of targets. Information is also synchronously sent to your phone to keep you up-to-date. These cameras are widely used in small and medium-sized scenes such as small-sized retail stores.

### Functions

#### Human Detection

Dahua intelligent algorithms extract moving human targets from videos and filters out alarms that are triggered by non-human targets to increase the accuracy and effectiveness of alarms.

#### Motion Detection

When moving objects appear in the monitoring image, Dahua Motion Detection technology triggers alarm or records.

#### Day/Night

Dahua Day/Night function provides color image when illumination is adequate; when illuminance is inadequate, it switches night mode and provides white and black image. It can guarantee that the network camera can work normally when illuminance changes.

#### Two-way Talk

With its built-in high-sensitivity microphone and high-power speaker, the camera realizes two-way talk through the mobile app.

**Technical Specification**

## Camera

Image Sensor	1/3.2" CMOS
Max. Resolution	2304 (H) × 1296 (V)
Electronic Shutter Speed	Auto/Manual 1/3 s–1/100,000 s
Illumination Distance	Up to 10 m (32.81 ft) (IR)
Illuminator On/Off Control	Auto
Illuminator Number	1 (IR LED)
Angle Adjustment	Pan: 0° to 355° Tilt: -5° to +80°

## Lens

Max. Aperture	F2.0
Field of View	H: 79°; V: 43°; D: 94°

## Video

Video Compression	H.265
Video Frame Rate	Main stream: 2304 × 1296@(1-25/30 fps) sub stream: 640 × 480@(1-25/30 fps) *The values above are the max. frame rates of each stream; for multiple streams, the values will be subjected to the total encoding capacity.
Resolution	3 MP (2304 × 1296); 1080p (1920 × 1080); VGA (640 × 480)
Video Bit Rate	H.265: 80 kbps–4096 kbps
Day/Night	Auto(ICR)/Color/B/W
WDR	DWDR
Motion Detection	Yes
Image Rotation	0°/180°

## Intelligence

Human Detection	Support the classification and accurate detection of human
-----------------	--

## Audio

Built-in MIC	Yes
Built-in Speaker	Yes
Audio Compression	G.711a

## Network

Network Port	RJ-45 (10/100 Base-T)
Wi-Fi	IEEE 802.11b/g/n 2.4–2.4835 GHz, 2.4 G
Storage	Micro SD card (up to 256 GB)
Management Software	DMSS
Mobile Client	iOS;Android

## Certification

Certifications	CE
----------------	----

## Power

Power Supply	5 VDC 1 A
Power Consumption	Basic: 1.9 W Max. (video stream acquiring + IR + PTZ Rotation): 4.7 W

## Environment

Operating Temperature	-10 °C to +45 °C (+14 °F to +113 °F)
Operating Humidity	≤ 95%

## Structure

Casing Material	Plastic
Product Dimensions	φ77.8 mm × 108.1 mm (φ3.06" × 4.26")
Net Weight	200.3 g (0.44 lb)

**Ordering Information**

Type	Model	Description
3 MP Camera	DH-H3AE	3 MP Indoor Fixed-focal Wi-Fi Pan & Tilt Network Camera
	H3AE	3 MP Indoor Fixed-focal Wi-Fi Pan & Tilt Network Camera
Accessories	A806A-050100U-EU1	5 VDC 1 A Power Adapter
	TF-C100	MicroSD Memory Card

**Accessories**

Included:



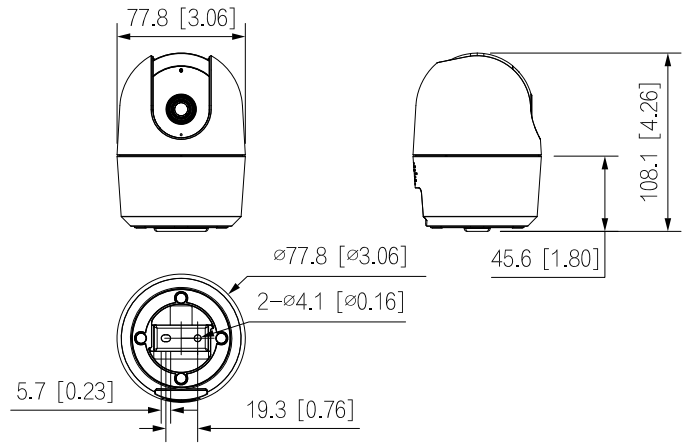
A806A-050100U-EU1  
5 VDC 1 A Power Adapter

Optional:



TF-C100  
MicroSD Memory Card

**Dimensions (mm[inch])**



Ceiling Mount	Wall Mount	Table Mount