

DH-HAC-ME1200EQ-L

2MP Smart Dual Light Active Deterrence HDCVI Fixed-focal Eyeball Camera



Series Overview

The Active Deterrence Series offers a multi-dimensional system that links surveillance videos to alarms, audio prompts and various types of information to assist with verifying potential risks. Cameras in this series actively warn off intruders with light and sound, while keeping you up to date of events in real-time through alarm-over-coax and its live view.

Functions

Smart Dual Light

With its smart dual light mechanism, the camera automatically turns on the white light when Perimeter Protection/SMD Plus function of AI XVR detects a target in the rule area to capture clear, vivid images. When the target leaves the rule area, the camera automatically switches over from the white light to the IR light to significantly reduce light pollution.

Active Deterrence (White Light)

Designed with active deterrence technology, the camera turns on a white light and a siren to deter and warn off intruders. The light can be set to flash in intervals or remain solid, and the siren has customizable settings (Only -LS models support siren).

Easy Installation

HDCVI eyeball comes with a quick-to-install pedestal, which makes it easier to install than conventional eyeballs and reduces cost on time and labor.

Protection (IP67, Wide Voltage)

IP67: The camera passed a series of rigorous dust and immersion tests. Its enclosure is both dust-proof and waterproof, and can function normally while being immersed in 1 m deep water for up to 30 minutes.

Wide voltage: The camera has $\pm 30\%$ input voltage tolerance (for some power supplies) and a wide voltage range, making it suitable for a variety of outdoor scenarios.

- * The parameters and datasheets below can only be applied to 1200-S6 series.
- * In order to use the Smart Dual Light HDCVI camera, the firmware of XVR must be upgraded to V1.001.0000000.O.R.20240202 or later version.
- Max. 30 fps@1080p.
- CVI/CVBS/AHD/TVI switchable
- Active deterrence with warm light
- 3.6 mm fixed lens (2.8 mm optional)
- Super Adapt
- 3D NR
- Smart Dual Light.
- 30 m illumination distance.
- Quick-to-install eyeball save installation time
- IP67, 12 V DC



Super Adapt

With its intelligent algorithm, the camera automatically adjusts its parameters to provide optimal performance and vivid images.

Advanced 3DNR

Dahua's advanced 3DNR technology reduces image noise with little to no impact on image sharpness, especially in poor lighting conditions. It detects the noise, and compares the sequential frames to effectively reduce the noise. It also makes efficient use of bandwidth, saving on storage space.

Long Distance Transmission

HDCVI technology provides long distance transmission in real time without transmission loss. It supports transmission distances up to 700 m for 2-MP/5-MP/8-MP HD videos through coaxial cables, and up to 300 m through UTP cables. The results were obtained and verified through rigorous testing in Dahua's test laboratory.

4 Signals over 1 Coaxial Cable

HDCVI technology supports 4 signals (video, audio*, data and power) which are simultaneously transmitted over a coaxial cable. Dual-way data transmission allows the HDCVI camera to interact with the XVR to perform various actions such as sending control signals and triggering alarms. HDCVI technology also supports PoC, which makes the camera easy and quick to install.

* Audio input is available for select HDCVI camera models.

Simplicity

HDCVI technology inherits the simplicity of traditional analog surveillance systems, making it a great mechanism for protecting your valuables. HDCVI can be upgraded from the traditional analog system without replacing the existing coaxial cabling. Its plug and play design enables it to produce high-definition videos during surveillance without the hassle of configuring a network.

Technical Specification

Camera

Image Sensor	2 MP CMOS
Max. Resolution	1920 (H) × 1080 (V)
Scanning System	Progressive
Electronic Shutter Speed	PAL: 1/25 s–1/100,000 s NTSC: 1/30 s–1/100,000 s
Min. Illumination	0.01 lux@F2.0 (Color, 30 IRE) 0.001 lux@F2.0 (B/W, 30 IRE) 0 lux (Illuminator on)
S/N Ratio	>65 dB
Illumination Distance	30 m (98.43 ft)
Illuminator On/Off Control	Auto;Manual
Illuminator Number	1 (Warm light);1 (IR light)
Angle Adjustment	Pan: 0°–360°; Tilt: 0°–78°; Rotation: 0°–360°

Lens

Lens Type	Fixed-focal				
Auto Focus	No				
Lens Mount	M12				
Focal Length	3.6 mm; 2.8 mm				
Max. Aperture	F2.0				
Field of View	2.8 mm: H: 134°; V: 111°; D: 60° 3.6 mm: H: 108°; V: 89°; D: 48°				
Iris Control	Fixed				
Close Focus Distance	2.8 mm: 0.5 m (1.64 ft) 3.6 mm: 0.7 m (2.30 ft)				
DORI Distance	Lens	Detect	Observe	Recognize	Identify
	2.8 mm	40.6 m (133.20 ft)	16.2 m (53.15 ft)	8.1 m (26.57 ft)	4.1 m (13.45 ft)
	3.6 mm	49.9 m (163.71 ft)	20.0 m (65.62 ft)	10.0 m (32.81 ft)	5.0 m (16.40 ft)
ABF	Yes				

Video

Video Frame Rate	CVI: PAL: 1080p@25 fps; NTSC: 1080p@30 fps; AHD: PAL: 1080p@25 fps; NTSC: 1080p@30 fps; TVI: PAL: 1080p@25 fps; NTSC: 1080p@30 fps; CVBS: PAL: 960H; NTSC: 960H
Resolution	1080p (1920 × 1080); 960H (960 × 576/960 × 480)
Day/Night	Auto(ICR)/Color/B/W
BLC	BLC; HLC; DWDR
WDR	DWDR

White Balance	Auto;Area white balance
Gain Control	Auto
Noise Reduction	3D NR
Illumination Mode	Smart IR&WL; WL Mode; IR Mode
Mirror	Yes

PIR

Detection Mode	Pyroelectric infrared sensor
Max. Detection Range	10 m (32.8 ft), 110°
Recommended Installation Height	2.2 m–3 m (7.2 ft–9.8 ft)
Recommended Working Temperature	–10 °C to 50 °C (14 °F to 122 °F)

Active Deterrence

Warm Light Warning	Flash; Alert Duration: 5 s–60 s; flash Freq: low/medium/high
--------------------	--

Certification

Certifications	CE-LVD: EN 62368-1; CE-EMC: EN 55032; EN 55035;
----------------	--

Port

Video Output	Video output choices of CVI/TVI/AHD/CVBS by one BNC port
--------------	--

Power

Power Supply	12 VDC ± 30%
Power Consumption	Max 3.3 W (12 VDC, IR on)

Environment

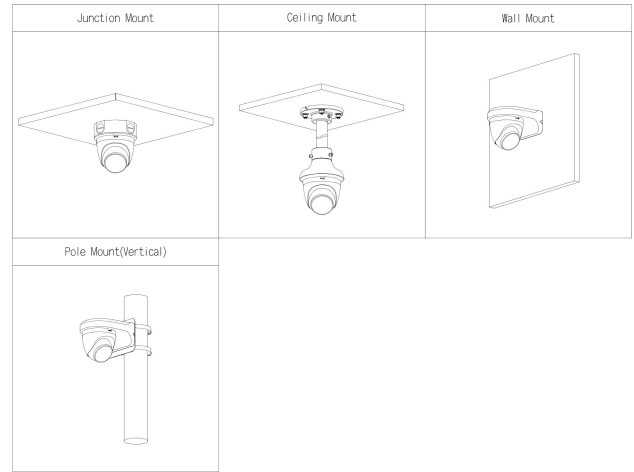
Operating Temperature	–40 °C to +60 °C (–40 °F to +140 °F)
Operating Humidity	<95% (RH), non-condensing
Storage Temperature	–40 °C to +60 °C (–40 °F to +140 °F)
Storage Humidity	<95% (RH), non-condensing
Protection	IP67
Anti-corrosion Level	Basic Protection

Structure

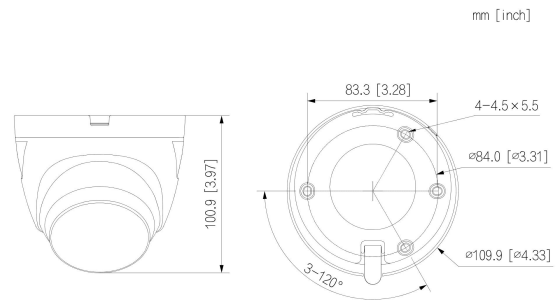
Casing Material	Dome (metal + plastic) + plastic enclosure
Product Dimensions	Φ109.9 mm × 100.9 mm (Φ4.33" × 3.97")
Net Weight	0.30 kg (0.66 lb)
Gross Weight	0.47 kg (1.04 lb)
Installation	Wall mount; ceiling mount; vertical pole mount

Ordering Information

Type	Model	Description
HDCVI CAMERA	DH-HAC-ME1200EQP-L	2MP Smart Dual Light Active Deterrence HDCVI Fixed-focal Eyeball Camera, PAL
	DH-HAC-ME1200EQN-L	2MP Smart Dual Light Active Deterrence HDCVI Fixed-focal Eyeball Camera , NTSC
Accessories (Optional)	DH-PFB220C	Ceiling Mount Bracket
	DH-PFA109	Mount adapter
	DH-PFA13G	Junction box
	DH-PFA151	Corner mount bracket
	DH-PFA150	Pole Mount Bracket
	DH-PFA152-E	Pole Mount Bracket
	DH-PFB205W-E	Wall Mount Bracket
	DH-PFM321-EN	DC12V1A power adapter
	DH-PFM321D-EN	DC12V 1A power adapter
	DH-PFM320D-EN	DC12V2A power adapter
	PFM904	Integrated Mount Tester



Dimensions (mm[inch])



Accessories

Optional:



DH-PFB220C
Ceiling Mount Bracket



DH-PFA109
Mount adapter



DH-PFA13G
Junction box



DH-PFA151
Corner mount bracket



DH-PFA150
Pole Mount Bracket



DH-PFA152-E
Pole Mount Bracket



DH-PFB205W-E
Wall Mount Bracket



DH-PFM321-EN
DC12V1A power adapter



DH-PFM321D-EN
DC12V 1A power adapter



DH-PFM320D-EN
DC12V2A power adapter



PFM904
Integrated Mount Tester