

# DHI-NVR608RH-32-XI

32CH 2U 8HDDs WizMind Network Video Recorder




Launched by Dahua Technology, Dahua WizMind is a full portfolio of solutions composed of project-oriented products including IPC, IVSS, NVR, PTZ, XVR, Thermal and software platform which adopts industry-leading deep learning algorithms. Focusing on customer's requirements, WizMind provides precise, reliable and comprehensive AI solutions for verticals.

## Series Overview

As a new generation of network video recorders, NVR600-XI series offers high-grade recording technology and has AI capabilities that are ideal for IP video surveillance applications. This enterprise-level NVR has a powerful processor, built-in deep learning modules, and video metadata technology. It also comes with high-precision human face recognition, perimeter protection and 4K resolution, which together shorten the response time to events and provide critical information that allows surveillance personnel to take immediate action. This NVR is compatible with numerous third-party devices, making it a perfect solution for surveillance systems with or without a video management system.

## Functions

### AcuPick

This industry-leading search technology effectively utilizes both front-end and back-end intelligence to help with searching through massive video data to quickly and conveniently locate targets with greater precision.

### Perimeter Protection

Automatically filters out false alarms caused by animals, rustling leaves, bright lights, etc. Enables system to act secondary recognition for the targets. Improves alarm accuracy.

- Supports Smart H.265+, H.265, Smart H.264+, H.264 and MJPEG decoding formats.
- Max. decoding capability: 32 × 1080p@30 fps.
- Max. 1280/1280/1024 Mbps incoming/recording/outgoing bandwidth.
- Supports AcuPick with up to 32 channels.
- AI by Recorder supports 8-channel face detection and recognition, up to 40 face databases and 300,000 face images; 8-channel metadata; 32-channel perimeter protection; 32-channel SMD Plus.
- AI by Camera supports face detection and recognition, perimeter protection, SMD Plus, metadata, ANPR, stereo analysis, heat map, and people counting.
- Supports redundant power, N+M cluster, Raid 0/1/5/6/10, ISCSI, Drawer-like chassis design allows for HDD hot swapping.
- Supports EPTZ, One-click Arming & Disarming.
- Security baseline 2.3.



### Face Recognition

Dahua Face Recognition technology extracts the features of captured faces and compares them with that in face database.

### Video Metadata

With deep learning algorithm, Dahua Video Metadata technology can detect, track, capture vehicle, non-motor vehicle and people, and select the best images, and extract attributes.

### Heat Map by Camera

Dahua heat map technology is used to display the crowd density and people appearance probability. Export and display the crowd status by different colors. Generally, the crowd status is the statistics of people quantity in space and time dimensions.

### ANPR by Camera

With deep learning algorithm, Dahua ANPR technology can recognize the number plate information of vehicles in the image with ANPR cameras. Support blocklist/allowlist mode, searching target vehicles from recorded video.

## Technical Specification

<b>System</b>	
Main Processor	Industrial-grade processor
Operating System	Embedded Linux
Operating Interface	Web, Local GUI
<b>AI</b>	
AI by Recorder	Face detection; face recognition; video metadata (human, motor vehicles, and non-motor vehicles); SMD Plus
AI by Camera	Face detection; face recognition; video metadata (human, motor vehicles, and non-motor vehicles); SMD Plus; stereo analysis; crowd distribution; people counting; ANPR; vehicle density; object monitoring
AcuPick AI by Camera + Recorder	Max. 32-channel, 1 combined event per channel/s
<b>Perimeter Protection</b>	
Perimeter Performance AI by Recorder (Number of Channels)	Simultaneous mode: 32 channels, 10 IVS rules for each channel Heterogeneous mode: 24 channels, 10 IVS rules for each channel
Perimeter Performance of AI by Camera (Number of Channels)	32 channels
<b>Face Detection</b>	
Face Attributes	Gender; age group; glasses; expressions; face mask; beard
Face Detection Performance of AI by Recorder (Number of Channels)	Simultaneous mode: 8 channels (up to 12 face images/s each channel) Heterogeneous mode: 5 channels (up to 12 face images/s each channel)
Face Detection Performance of AI by Camera (Number of Channels)	32 channels
<b>Face Recognition</b>	
Face Database Capacity	Up to 40 face databases with 300,000 images, with a total capacity of 48 G. Name, gender, birthday, address, credential type, credential No., countries & regions and state can be added to each face image.
Face Recognition Performance of AI by Recorder (Number of Channels)	Simultaneous mode: 32-channel FD (by camera) + FR (by recorder), image stream: 32 face images/s; 8-channel FD (by recorder) + FR (by recorder), video stream: 16 face images/s Heterogeneous mode: 16-channel FD (by camera) + FR (by recorder), image stream: 16 face images/s; 5-channel FD (by recorder) + FR (by recorder), video stream: 10 face images/s
Face Recognition Performance of AI by Camera (Number of Channels)	32 channels
<b>SMD Plus</b>	
SMD Plus by Recorder	32-channel: Secondary filtering for human and motor vehicle, reducing false alarms caused by leaves, rain and lighting condition change
SMD Plus by Camera	32 channels

## Video Metadata

Metadata Performance of AI by Recorder (Number of Channels)	8 channels
Metadata Performance of AI by Camera (Number of Channels)	32 channels
People Attributes	9 human body attributes
Human Attributes	Top color, top type, hat, bag, age, gender and umbrella
Motor Vehicle Attributes	License plate, plate color, vehicle model, vehicle logo, plate color, ornament, calling,
Non-motor Vehicle Attributes	Vehicle model, vehicle color, number of persons, helmet.

## Vehicle License Plate Comparison

ANPR by Camera (Number of Channels)	32 channels
License Plate Database Capacity	Blocklist and allowlist: 20,000

## Audio and Video

Access Channel	32 channels
Network Bandwidth	AI disabled: 1280 Mbps incoming, 1280 Mbps recording and 1024 Mbps outgoing AI enabled: 640 Mbps incoming, 640 Mbps recording and 512 Mbps outgoing
Resolution	32 MP; 24 MP; 16 MP; 12 MP; 8 MP; 5 MP; 4 MP; 1080p; 720p; D1
Decoding Capability	AI disabled: 2-channel 32 MP@30 fps; 2-channel 24 MP@30 fps; 4-channel 16 MP@30 fps; 5-channel 12 MP@30 fps; 8-channel 8 MP@30 fps; 12-channel 5 MP@30 fps; 16-channel 4 MP@30 fps; 32-channel 1080p@30 fps; 32-channel D1@30 fps AI enabled: 1-channel 32 MP@30 fps; 1-channel 24 MP@30 fps; 2-channel 16 MP@30 fps; 2-channel 12 MP@30 fps; 4-channel 8 MP@30 fps; 6-channel 5 MP@30 fps; 8-channel 4 MP@30 fps; 16-channel 1080p@30 fps; 32-channel D1@30 fps
Video Output	2 VGA, 4 HDMI; VGA: 1920 x 1080, 1280 x 1024, 1280 x 720; HDMI1&2: 3840 x 2160, 1920 x 1080, 1280 x 1024, 1280 x 720; HDMI3: 7680 x 4320, 3840 x 2160, 1920 x 1080, 1280 x 1024, 1280 x 720; HDMI4: 1920 x 1080, 1280 x 1024, 1280 x 720 Simultaneous mode: max. resolution of VGA1 and VGA2 is 1080p; max. resolution of HDMI1 and HDMI2 is 4K; max. resolution of HDMI3 is 8K; max. resolution of HDMI4 is 1080p Heterogeneous mode: Simultaneous video source output for VGA1 and HDMI1, simultaneous video source output for VGA2 and HDMI2. Max. resolution of VGA1 and VGA2 is 1080p; max. resolution of HDMI1, HDMI2 and HDMI3 is 4K; max. resolution of HDMI4 is 1080p
Multi-screen Display	Main screen: 1/4/8/9/16/25/36 Sub screen: 1/4/8/9/16/25/36
Third-party Camera Access	ONVIF; RTSP; Sony; Axis; Arecont; Pelco; Canon; Samsung
<b>Compression Standard</b>	
Video Compression	Smart H.265+; H.265; Smart H.264+; H.264; MPEG4; MJPEG
Audio Compression	G.711a; G.711u; PCM; G726

## Network

Network Protocol	HTTP; HTTPS; TCP/IP; IPv4; RTSP; UDP; NTP; DHCP; DNS; SMTP; UPnP; DDNS; Alarm Server; IP Search (Supports Dahua IP camera, DVR, NVS, etc.); Multicast; P2P; Auto Registration; ISCSI
Mobile Phone Access	iOS; Android
Interoperability	ONVIF (Profile S/profile T/Profile G); CGI; SDK
Browser	Chrome IE 9 or later Firefox
Network Mode	Multi-address mode, load balance, fault tolerance and other network port binding modes

## Recording Playback

Multi-channel Playback	Up to 16 channels
Record Mode	Manual; alarm; motion detection; scheduled
Backup Method	Portable hard drive, eSATA disk, burner, USB device and network
Playback Mode	1. Play, pause, stop, fast forward, fast backward, rewind, play by frame 2. Full screen, backup (cut/file), partially enlarge, audio on/off

## Storage

Disk Group	Yes
RAID	RAID 0/1/5/6/10
Hot Swapping	Yes

## Alarm

General Alarm	Motion detection; video tampering; video loss; scene changing, PIR alarm, IPC external alarm
Anomaly Alarm	Camera offline; storage error; disk full; IP conflict; MAC conflict; login lock; abnormal behavior of fan
Intelligent Alarm	Face detection; face recognition; perimeter protection (intrusion and tripwire); SMD Plus alarms; ANPR; people counting; stereo analysis; crowd distribution; heat map
Alarm Linkage	Record; snapshot; IPC external alarm output; buzzer; log, preset; email

## Port

Audio Input	1-channel RCA
Audio Output	2-channel RCA
Alarm Input	16 channels
Alarm Output	8 channels
HDD Interface	8 SATA ports, up to 16 TB. The maximum HDD capacity varies with environment temperature.
eSATA	1
RS-232	1
RS-485	1 × A/B
USB	4 (2 front USB 2.0 ports, 2 rear USB 3.0 ports)
HDMI	4
VGA	2
Network Port	2 (10/100/1000/2500 Mbps Ethernet port, RJ-45)

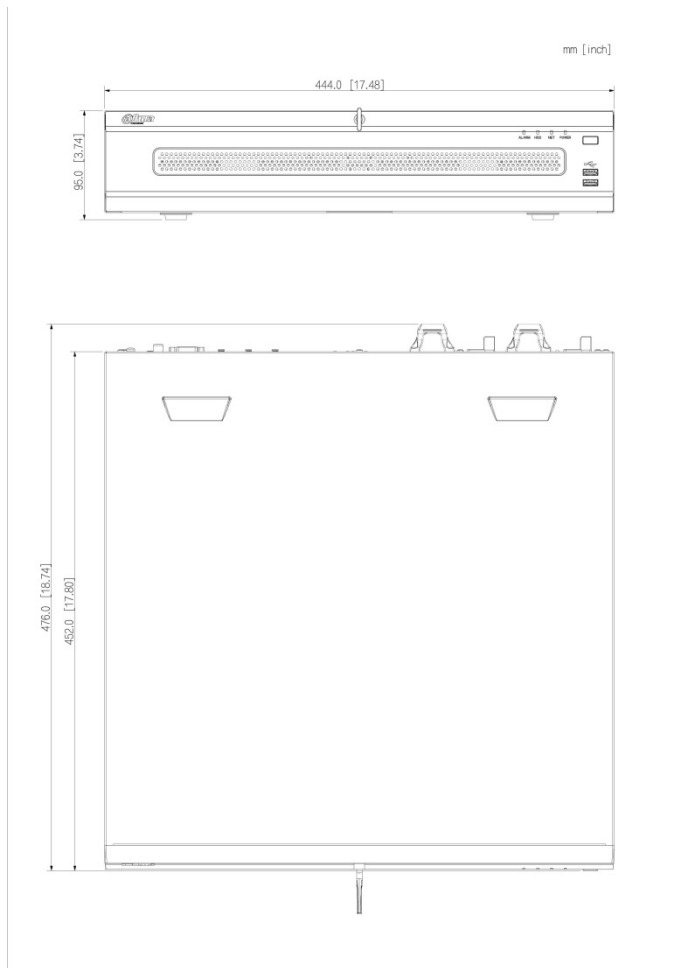
## General

Power Supply	100–240 VAC, 50/60 Hz
Redundant Power	Yes
Power Consumption	<18 W (without HDD)
Net Weight	8.14 kg (17.95 lb) (without HDD)
Gross Weight	12.24 kg (26.98 lb) (without HDD)
Product Dimensions	444.0 mm × 476.0 mm × 95.0 mm (17.48" × 18.74" × 3.74") (W × D × H)
Packaging Dimensions	571.0 mm × 618.0 mm × 219.0 mm (22.48" × 24.33" × 8.62") (W × D × H)
Operating Temperature	–10 °C to +55 °C (14 °F to +131 °F)
Storage Temperature	0 °C to +40 °C (+32 °F to +104 °F)
Operating Humidity	10%–93% (RH), non-condensing
Installation	Rack or desktop
Certifications	FCC: 47 CFR FCC Part15, SubpartB, Class A CE-EMC: EN 55032:2020, Class A; EN IEC 61000-3-2:2019; EN 61000-3-3:2013+A1:2019; EN 55024:2010+A1:2015; EN 55035:2020; EN 50130-4:2011+A1:2014 CE-LVD: EN 62368-1:2014+A11:2017

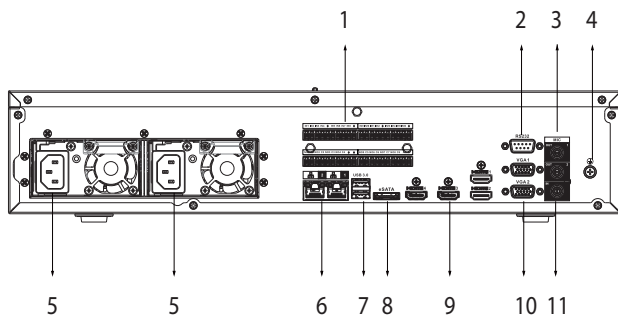
## Ordering Information

Type	Model	Description
AI Network Video Recorder	DHI-NVR608RH-32-XI	32CH 2U 8HDDs WizMind Network Video Recorder

**Dimensions (mm[inch])**



**Panels**



- |                            |                 |
|----------------------------|-----------------|
| 1 Alarm In/Out             | 2 RS-232 Port   |
| 3 AUDIO OUT, RCA Connector | 4 Ground        |
| 5 Power Input              | 6 Network Ports |
| 7 USB Ports                | 8 eSATA Port    |
| 9 HDMI Ports               | 10 VGA Ports    |
| 11 AUDIO IN, RCA Connector |                 |