

# DH-PFH610A-IR

14" corrosion-proof housing



- Designed with a die cast aluminum case, IP66 rated.
- Flap design for easy installation and maintenance.
- Supports 24 VDC, 24 VAC and 36 VDC power supplies.
- With its built-in infrared light module, it produces light up to 100 meters in low light conditions.
- The heating and heat dissipation modules provide the device with a wide operating temperature range.
- Anti-corrosion design.

## System Overview

Dahua Housing Series uses high-quality material and offers outstanding performance. It can protect the camera from rain, snow and other types of harsh weather. The enclosure can be customized to contain fans, heaters, wipers and sound and light alarms to meet the needs of various scenes. Installation is hassle-free and effortless.

## Scene

Ideal for mounting cameras, and works in temperatures ranging from  $-40^{\circ}\text{C}$  to  $+60^{\circ}\text{C}$  ( $-40^{\circ}\text{F}$  to  $+140^{\circ}\text{F}$ ) and in environments with a relative humidity of less than 90%.

## Technical Specification

### Function

Auto Temperature Control	Heating mode: ON: $5^{\circ}\text{C} \pm 5^{\circ}\text{C}$ ( $41^{\circ}\text{F} \pm 41^{\circ}\text{F}$ )/OFF: $15^{\circ}\text{C} \pm 5^{\circ}\text{C}$ ( $59^{\circ}\text{F} \pm 41^{\circ}\text{F}$ ) Cooling mode: ON: $37^{\circ}\text{C} \pm 5^{\circ}\text{C}$ ( $98.6^{\circ}\text{F} \pm 41^{\circ}\text{F}$ )/OFF: $20^{\circ}\text{C} \pm 5^{\circ}\text{C}$ ( $68^{\circ}\text{F} \pm 41^{\circ}\text{F}$ )
IR Light	0 m –100 m (0 ft–328.08 ft)

### Protection

Vandal-proof Rating	IK10
Protection	IP66
Anti-corrosion	Yes
Surge Protection Grade	Common mode: 4 KV Different mode: 2 KV
Screw Thread Type	G1/2

### Power

Power Consumption	35 W (without camera); Heater: 10.9 W; Fan: 0.2 W
Power Supply	24 VDC, 24 VAC, 36 VDC (the device requires an external power supply)
Power Supply for Camera	12 VDC (12 VDC port that outputs power and provides power for the internal camera)

### Port

RS-485	1, used to control the IR light and wiper
Alarm Input Port	2, used to control the IR light and wiper
Alarm Output Port	2, used to control IR feedback and washer modules
DIP Switch	Yes

### Structure

Casing Material	The top cover is made of plastic PC material and the housing is built of die-cast aluminum.
Product Dimensions	404.3 mm × 163.8 mm × 131.8 mm (15.92" × 6.45" × 5.19") (L × W × H)
Appearance Color	White top cover and black housing
Window Dimensions	Φ59.4 mm (Φ2.34")
Internal Usable Space	280 mm × 115 mm × 85 mm (11.02" × 4.53" × 3.35") (L × W × H)
Net Weight	2.6 kg (5.73 lb)
Gross Weight	2.9 kg (6.39 lb)
Installation	Wall mount, ceiling mount, plane mount, pole mount
Screw Thread Type	G1/2
Applicable Model	Please see "Camera Accessories Selection"
Packing List	Housing, Installation guide, Waterproof joint × 2, Wrench × 1, Ribbon cable, 1/4-20 × 9UNC screw × 2
Packaging Dimensions	437.0 mm × 190.0 mm × 166.0 mm (17.20" × 7.48" × 6.54") (L × W × H)

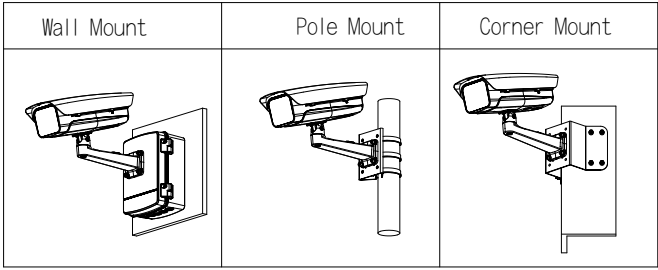
### Environment

Operating Temperature	$-40^{\circ}\text{C}$ to $+60^{\circ}\text{C}$ ( $-40^{\circ}\text{F}$ to $+140^{\circ}\text{F}$ )
Operating Humidity	<90% (RH)
Storage Temperature	$-40^{\circ}\text{C}$ to $+60^{\circ}\text{C}$ ( $-40^{\circ}\text{F}$ to $+140^{\circ}\text{F}$ )
Storage Humidity	10%–90% (RH)

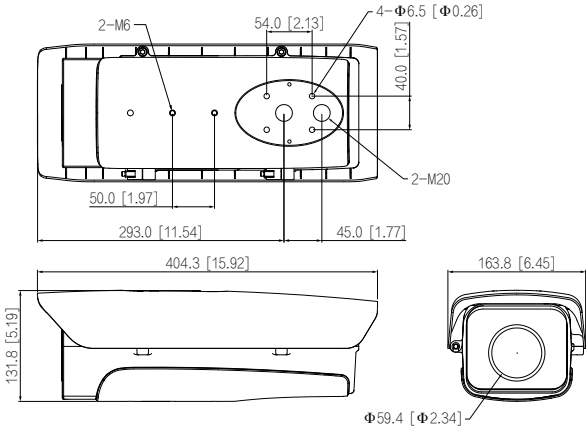
# Housing Series | DH-PFH610A-IR

Anti-corrosion Level	Moderate Protection
Certifications	
Certifications	CE: EN 62368-1, EN55032, EN55035, EN61000-3-2, EN61000-3-3, EN50130-4

Ordering Information		
Type	Model	Description
	DH-PFH610A-IR	14" corrosion-proof housing
	PFH610A-IR	14" corrosion-proof housing
Accessories (Optional)	PFB604WA	Wall-mount Bracket (Anti-corrosion)
	PFA6400SA	Power Box (Anti-corrosion)
	PFA155A	Pole Mount Bracket (Anti-corrosion)
	PFA151A	Corner Mount Bracket (Anti-corrosion)



## Dimensions (mm[inch])



## Accessories

Optional:



PFB604WA  
Wall-mount  
Bracket  
(Anti-corrosion)



PFA6400SA  
Power Box  
(Anti-corrosion)



PFA155A  
Pole Mount  
Bracket  
(Anti-corrosion)



PFA151A  
Corner Mount Bracket  
(Anti-corrosion)