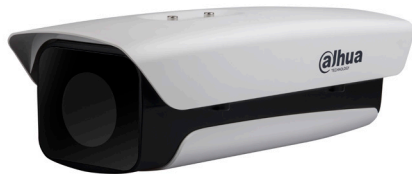


DH-PFH610V-H

14" vandal-proof housing



- Designed with a die cast aluminum case, IP66 rated.
- Flap design for easy installation and maintenance.
- Supports 24 VDC/24 VAC/36 VDC power supplies.
- The heating and heat dissipation modules provide the device with a wide operating temperature range.

System Overview

Dahua Housing Series uses high-quality material and offers outstanding performance. It can protect the camera from rain, snow and other types of harsh weather. The enclosure can be customized to contain fans, heaters, wipers and sound and light alarms to meet the needs of various scenes. Installation is hassle-free and effortless.

Scene

Ideal for mounting cameras, and works in temperatures ranging from -40°C to $+60^{\circ}\text{C}$ (-40°F to $+140^{\circ}\text{F}$) and in environments with a relative humidity of less than 90%.

Technical Specification

Function

Auto Temperature Control	Heating mode: ON: $5\pm 5^{\circ}\text{C}$ /OFF: $15\pm 5^{\circ}\text{C}$ Cooling mode: ON: $37\pm 5^{\circ}\text{C}$ /OFF: $20\pm 5^{\circ}\text{C}$
--------------------------	---

Protection

Vandal-proof Rating	IK10
---------------------	------

Protection	IP66
------------	------

Surge Protection Grade	Common mode: 4 kV Different mode: 2 kV
------------------------	---

Power

Power Consumption	15.5 W (without camera); Heater: 10.9 W; Fan: 0.2 W
-------------------	---

Power Supply	24 VDC/24 VAC/36 VDC (the device requires an external power supply)
--------------	---

Power Supply for Camera	12 VDC (12 VDC port that outputs power and provides power for the internal camera)
-------------------------	--

Port

RS-485	1, used to control the IR light and wiper
--------	---

Alarm Input Port	2, used to control the IR light and wiper
Alarm Output Port	2, used to control IR feedback and washer modules
DIP Switch	Yes

Structure

Casing Material	The top cover is made of plastic PC material and the housing is built of die-cast aluminum.
Product Dimensions	404.3 mm × 163.8 mm × 131.8mm (15.92" × 6.45" × 5.19") (L × W × H)
Appearance Color	White top cover and black housing
Window Dimensions	Φ59.4 mm (Φ2.34")
Internal Usable Space	280 mm × 115 mm × 85 mm (11.02" × 4.53" × 3.35") (L × W × H)
Net Weight	2.4 kg (5.29 lb)
Gross Weight	2.7kg (5.95 lb)
Installation	Wall mount, ceiling mount, plane mount, pole mount
Screw Thread Type	G1/2
Applicable Model	Please see "Camera Accessories Selection"
Packing List	Housing, Installation guide, Waterproof joint × 2, Wrench×1, Ribbon cable, 1/4-20 × 9UNC screw × 2
Packaging Dimensions	437.0 mm × 190.0 mm × 166.0 mm (17.20" × 7.48" × 6.54") (L × W × H)

Environment

Operating Temperature	-40°C to $+60^{\circ}\text{C}$ (-40°F to $+140^{\circ}\text{F}$)
Operating Humidity	<90% (RH)
Storage Temperature	-40°C to $+60^{\circ}\text{C}$ (-40°F to $+140^{\circ}\text{F}$)
Storage Humidity	10%–90% (RH)
Anti-corrosion Level	Basic Protection

Housing Series | DH-PFH610V-H

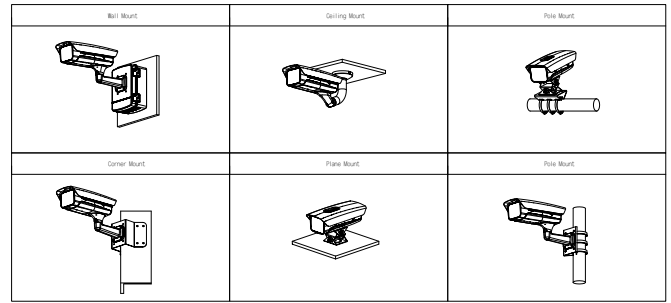
Certifications

Certifications

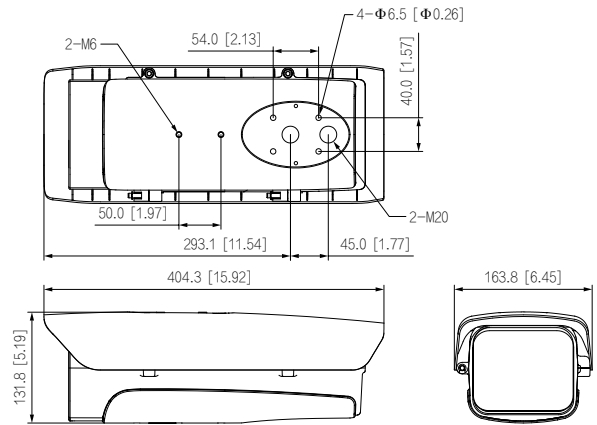
CE: EN 62368-1, EN55032, EN55035, EN61000-3-2, EN61000-3-3, EN50130-4

Ordering Information

Type	Model	Description
Housing Series	DH-PFH610V-H	14" vandal-proof housing
	PFH610V-H	14" vandal-proof housing
Accessories (Optional)	PFB604W	Wall-mount Bracket
	PFA6400S	Water-proof Power Box
	PFB600W	Ceiling-mount Bracket
	PFA162	Support Three-axis Rotation For Housing Installation
	PFA150	Pole Mount Bracket
	PFA151	Corner Mount Bracket



Dimensions (mm[inch])



Accessories

Optional:



PFB604W
Wall-mount
Bracket



PFA6400S
Water-proof
Power Box



PFB600W
Ceiling-mount
Bracket



PFA162
Support Three-axis
rotation For Housing
Installation



PFA150
Pole Mount Bracket



PFA151
Corner Mount Bracket