

# DH-PFL12-L12M-A

12 MP 1.1" F.4 12mm Fixed-focal lens



- 1.1" image sensor with high compatibility for ITC cameras.
- IR correction ensures 24-hour real-time monitoring.
- Standard C mount for easy installation and strong compatibility.
- ROHS standard.

## System Overview

Motorized Vari-Focal Lens is a high pixel lens that supports switching between various focal lengths, apertures and image sensors. It supports IR correction and 24-hour monitoring. Easy to install, the lens has standard ports, is highly compatible, and meets the ROHS standard.

## Scene

Ideal for mounting cameras, it works in temperatures ranging from  $-30^{\circ}\text{C}$  to  $+70^{\circ}\text{C}$  ( $-22^{\circ}\text{F}$  to  $+158^{\circ}\text{F}$ ) and in environments with relative humidity of less than 95%.

## Technical Specification

### Performance

Image Sensor Size	1.1" CMOS
Focal Length	12 mm
Lens Pixel	12 MP
Aperture	F1.4 $\pm$ 10%
IR Light	Yes
CRA(Chief Ray Angle)	6.2°
Total Optical Length	80 mm $\pm$ 0.5 mm (in air)
Flange Back Focal Length	17.53 mm $\pm$ 0.2 mm (in air)
Mechanical Back Focal Length	13.53 mm $\pm$ 0.2 mm (in air)
Field of View	1.1": 75.7° × 64° × 44.8° (@17.56 mm × 14.47 mm × 9.94 mm) (0.69" × 0.57" × 0.39") 1": 69.9° × 62.5° × 34.1° (@16.1 mm × 14.13 mm × 7.45 mm) (0.63" × 0.56" × 0.29")
TV Distortion	-9.05%
Minimum Object Distance (MOD)	1 m (3.28 ft)

### Control Mode

Zoom	Fixed
Focus Control	Manual
Iris Control	Manual

### Port

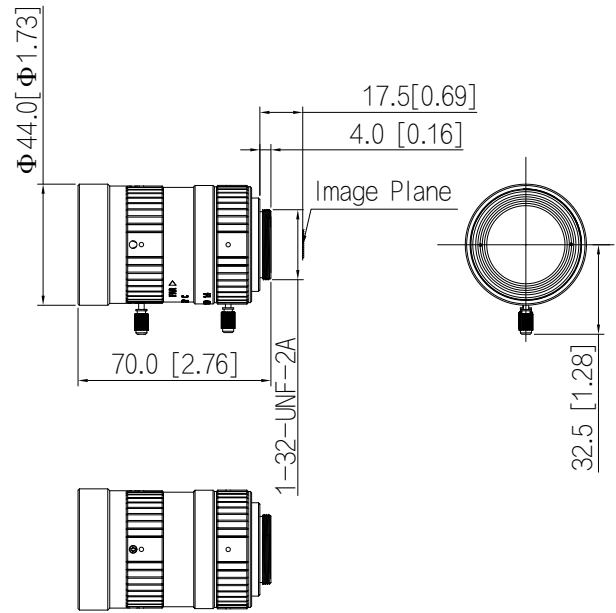
Port Type	C mount
-----------	---------

### Structure

Product Dimensions	$\Phi$ 44 mm × 70mm (1.73" × 2.76")
--------------------	-------------------------------------

Appearance Color	Black
Casing	Metal
Net Weight	0.195 ± 0.002 kg (0.43 ± 0.0044 lb)
Gross Weight	0.26 ± 0.002 kg (0.57 ± 0.0044 lb)
Packaging Dimensions	124 mm × 82 mm × 89 mm (4.88" × 3.23" × 3.50") (L × W × H)
Accessory	Desiccant, user's manual, and hazardous substance table
Environment	
Operating Temperature	-30 °C to +70 °C (-22 °F to +158 °F)
Operating Humidity	95% (RH)
Storage Temperature	-30 °C to +70 °C (-22 °F to +158 °F)
Storage Humidity	≤95% (RH)
Certification	
Certifications	Passed the authentication of the Third Research Institute of Ministry of Public Security.

**Dimensions (mm[inch])**



**Ordering Information**

Type	Model	Description
HD Fixed-focal Lens	DH-PFL12-L12M-A	DH 12 MP 1.1" F.4 12mm Fixed-focal lens
	PFL12-L12M-A	12 MP 1.1" F.4 12mm Fixed-focal lens