

# DH-PFM302

## DC12V2A Power Adapter



- Inverted bucket water-proof design.
- Wall mount installation.
- Offers enough space to accommodate cables and joints.
- Shell flame resistance V-0 level.

### Technical Specification

#### Function

Input Voltage	180–240 VAC
Output Voltage	12 VDC
Rated Output Current	2 A
Rated Power	24 W
Power Consumption In Idle	≤0.3 W
Efficiency	≥82.09%

#### Port

Input Port	2 pin wire terminal
Output Plug	Φ5.5 mm × Φ2.1 mm × 11.0 mm (0.22" × 0.08" × 0.43") (OD × ID × L)

#### Protection

Protection	Protects against overcurrent, overvoltage, overheating, short circuits and abnormal input.
Surge Protection Grade	Common mode: ±4 kV Differentiate mode: ±2 kV
Statics Protection	Air discharge: ±8 kV Contact discharge: ±4 kV

#### Structure

Installation	Wall mount
Product Dimensions	128.5 mm × 75.3 mm × 34.0 mm (5.06" × 2.96" × 1.34")
Appearance Color	Gray
Net Weight	0.14 kg (0.31 lb)
Gross Weight	0.17 kg (0.37 lb)
Packaging Dimensions	131.0 mm × 76.0 mm × 35.0 mm (5.16" × 2.99" × 1.38")
Output Cable Length	60 mm (2.36")

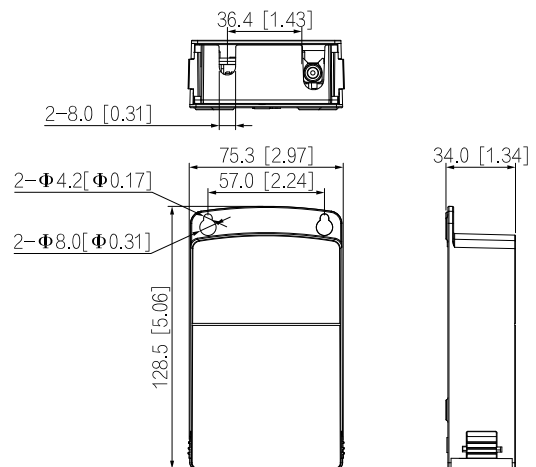
### Environment

Operating Temperature	-5 °C to +40 °C (+23 °F to +104 °F)
Operating Humidity	10%–90% (RH)
Storage Temperature	-30 °C to +80 °C (-22 °F to +176°F)
Storage Humidity	10%–90% (RH)

### Ordering Information

Type	Model	Description
Power Adapter	DH-PFM302	Power Adapter

### Dimensions (mm[inch])



Rev 002.000 © 2023 Dahua. All rights reserved. Design and specifications are subject to change without notice. The images, specifications and information mentioned in the document are only for reference, and might differ from the actual product.