

DH-SD6C3432GB-HNR-A-PV1

4MP 32 Starlight TiOC NETWORK PTZ CAMERA



Wiz Sense

Launched by Dahua Technology, WizSense is a series of AI products and solutions that adopt independent AI chip and deep learning algorithm. It focuses on human and vehicle with high accuracy, enabling users to fast act on defined targets. Based on Dahua's advanced technologies, WizSense provides intelligent, simple and inclusive products and solutions.

System Overview

With its powerful optical zoom, and accurate pan and tilt capabilities, the PTZ camera provides an all-in-one solution for long distance video surveillance of outdoor scenes. Together with infrared illumination and Starlight Technology, the camera is a great solution for dark, low light conditions. The series combines a day and night mechanical IR cut filter to produce high quality images in variable lighting conditions during the day.

Functions

PFA Technology

PFA technology has introduced new methods of judgment that ensure the accuracy and predictability of the direction of subject distance adjustment. The result is a set of advanced focusing algorithms that ensure image clarity when zooming and that shorten focus time. This makes the camera highly advanced in its functions, substantially improving the quality of your experience.

Starlight Technology

With advanced image processing technology and optical technology, Dahua Starlight technology can provide clear colorful video in the environment of low illuminance. It widely applies to various environments of low illuminance.

Wide Dynamic Range

The camera produces vivid images, even in high-contrast lighting conditions, by using industry-leading wide dynamic range (WDR) technology. For scenes that quickly alternate between bright and low lighting, WDR adjusts to fully capture both the bright and dark areas of a scene, producing superior quality videos.

- 1/2.8" 4Megapixel STARVIS™ CMOS.
- 32× optical zoom.
- Starlight technology.
- Max. 25/30 fps@4M.
- IR distance up to 150 m.
- Auto-tracking 3.0.
- Perimeter protection.
- Face detection.
- SMD 4.0.
- Full-color illuminator; red and blue warning light.
- IP66.
- PoE (802.3at).



Auto-tracking

This feature controls the pan/tilt/zoom actions of the camera to automatically track an object in motion and to keep it in the scene. The tracking action can be triggered manually or automatically by defined rules. Once a rule is triggered, the camera can zoom in and track the defined target automatically.

Perimeter Protection

Automatically filters out false alarms caused by animals, rustling leaves, bright lights, and more, and uses secondary recognition during target detection to improve alarm accuracy.

SMD 4.0

Dahua Smart Motion Detection technology works with intelligent algorithms to classify targets that trigger motion detection alarms. It filters out objects that are not targets, such as small and large animals, to avoid triggering false alarms. With an AI NVR, Quick Pick technology becomes available, allowing you to easily search for and pick out human and vehicle targets from SMD event videos, prioritizing the highest matches.

Protection (IP66, TVS 6000 V)

IP66, TVS 6000 V lightning proof, surge protection, and voltage transient protection.

Technical Specification

Camera

| | |
|----------------------------|---|
| Image Sensor | 1/2.8" CMOS |
| Pixel | 4 MP |
| Max. Resolution | 2560 (H) × 1440 (V) |
| ROM | 4 GB |
| RAM | 1 GB |
| Electronic Shutter Speed | 1/1 s–1/30,000 s |
| Scanning System | Progressive |
| Min. Illumination | Color: 0.005 lux@F1.6 B/W: 0.0005 lux@F1.6 0 lux(IR light on) |
| Illumination Distance | 50 m (164.04 ft) (white light) 150 m (492.13 ft) (IR) |
| Illuminator On/Off Control | Zoom Prio; Manual; Smart IR; Off |
| Illuminator Number | 2 (IR) 2 (Dual light fusion) |

Lens

| | | | | |
|----------------------|---|-----------------------|-----------------------|----------------------|
| Focal Length | 4.8 mm–154 mm | | | |
| Max. Aperture | F1.6–F4.0 | | | |
| Field of View | H: 55.8°–2.3°; V: 31.9°–1.3°; D: 63.7°–2.7° | | | |
| Optical Zoom | 32× | | | |
| Focus Control | Auto; semi-auto; manual | | | |
| Close Focus Distance | 0.1 m–1.5 m (0.33 ft–4.92 ft) | | | |
| Iris Control | Auto; manual | | | |
| DORI Distance | Detect | Observe | Recognize | Identify |
| | 2124 m (6968.50 ft) | 839 m (2752.62 ft) | 425 m (1394.26 ft) | 212 m (695.54 ft) |

PTZ

| | |
|----------------------|---|
| Pan/Tilt Range | Pan: 0° to 360° endless Tilt: –20° to +90°, auto flip 180° |
| Manual Control Speed | Pan: 0°/s–240°/s Tilt: 0°/s–120°/s |
| Preset Speed | Pan: 240°/s Tilt: 120°/s |
| Preset | 300 |
| Tour | 8 (up to 32 presets per tour) |
| Pattern | 5 |
| Scan | 5 |
| Power-off Memory | Yes |
| Idle Motion | Pattern;Preset;Scan;Tour |

Intelligence

| | |
|----------------|--|
| Video Metadata | Detects motor and non-motor vehicles, faces and human bodies. It also performs tracking, takes snapshots, uploads high-quality face images and optimizes images. It extracts attributes from motor vehicles, detecting up to 10 attributes for them. |
|----------------|--|

| | |
|----------------------------|---|
| IVS (Perimeter Protection) | Tripwire; intrusion; crossing fence detection; loitering detection; abandoned/missing object; fast moving; parking detection; people gathering; vehicle/human alarm classification; linkage tracking |
| Face Detection | Supports face detection, face bounding box, capturing snapshots, uploading face snapshots, enhancing face images, and selecting a preferred image among a group of snapshots. Attribute Extraction is also supported, where 6 attributes and 8 expressions can be detected. The attributes are gender, age, glasses, mask, mustache and expressions. The expressions are angry, sad, hate, scared, surprised, calm, happy and confused. Face cutout is also offered, where you can cutout one face at a time and customize the size to be a one-inch photo. The supported methods for capturing snapshots are real-time capturing, quality first, and selecting a preferred image among a group of snapshots. |
| Construction Detection | Detects 6 helmet colors: Red, orange, yellow, blue, white, and black. An alarm will be triggered when a person is not wearing a helmet or when the color of the helmet that they are wearing does not match the configured color. It also supports compliance detection for work uniforms. Up to 5 work uniform sample libraries can be uploaded, which together can contain up to 1,000 images (the images must be 1080p and in the JPG format). An alarm will be triggered when the similarity between the detected work uniform and the samples in the library is below the set threshold (that is, below the minimum compliance standard for work uniforms). The system supports detecting the attributes of work uniforms such as the color of the uniform, and whether or not the person is wearing a mask and wearing shoe covers. An alarm will be triggered when the target is detected as not meeting the set requirements. It also detects and triggers alarms when only one person is in the construction site, and when no one is present in the detection area such as when a worker leaves their post or an area is left unmanned. |
| Auto Tracking | Yes |
| SMD | SMD 4.0 |
| Acupick | Uses deep learning algorithms and works with back-end devices to accurately match targets, such as people and motor vehicles, and search through live and recorded videos to quickly locate targets. |
| Auto Patrol | It triggers the IVS rule when a target is detected and makes the camera link with the PTZ to rotate to the position of the target and patrol based on its presets. |
| Active Deterrence | |
| Light Warning | Red and blue warning light. They can be configured to flash for 5 to 30 seconds with a high, medium or low frequency. |
| Sound Warning | Customizable sound alarm |
| Video | |
| Video Compression | H.264H; H.264B; Smart H.265+; H.264; H.265; MJPEG(Sub Stream); Smart H.264+ |
| Streaming Capability | 3 streams |
| Resolution | 4M (2560 × 1440); 3M (2048 × 1536); 3M (2304 × 1296); 1080p (1920 × 1080); 720p (1280 × 720); 1.3M (1280 × 960); D1 (704 × 576/704 × 480); VGA (640 × 480); CIF (352 × 288/352 × 240) |
| Video Frame Rate | Main stream: 1080p/1.3M/720p@(1-50/60 fps) Sub stream 1: D1/VGA/CIF@(1-25/30 fps) Sub stream 2: 1080p/1.3M/720p@(1-25/30 fps) |
| Bit Rate Control | CBR/VBR |

| | |
|--------------------------|---|
| Video Bit Rate | H264: 96 kbps–14848 kbps H265: 38 kbps–8960 kbps |
| Day/Night | Auto (ICR)/Color/B/W |
| BLC | Yes |
| WDR | 120 dB |
| HLC | Yes |
| White Balance | Auto; indoor; outdoor; tracking; manual; sodium lamp; natural light; street lamp |
| Gain Control | Auto; manual |
| Noise Reduction | 2D NR; 3D NR |
| Motion Detection | Yes |
| Region of Interest (RoI) | Yes |
| Image Stabilization | Electronic (EIS) |
| Defog | Electronic |
| Digital Zoom | 16× |
| Image Rotation | 180° |
| Privacy Masking | Up to 24 areas can be set, with up to 8 areas in the same view; multiple colors available |
| S/N Ratio | ≥55 dB |

Audio

| | |
|-------------------|---|
| Audio Compression | PCM; G.711a; G.711Mu; G.726; MPEG2-Layer2; G722.1; G729; G723 |
|-------------------|---|

Network

| | |
|---------------------|--|
| Network Port | RJ-45 (10/100 Base-T) |
| Network Protocol | FTP;RTMP;IPv6;Bonjour;IPv4;DNS;RTCP;PPPoE;NTP;RTP;802.1x;HTTPS;SNMP;TCP/IP;DDNS;UPnP;NFS;ICMP;UDP;IGMP;HTTP;SSL;DHCP;SMTP;Qos;RTSP;ARP |
| Interoperability | CGI;SDK;ONVIF (Profile S&G&T) |
| Streaming Method | Unicast/Multicast |
| User/Host | 20 (total bandwidth: 64 M) |
| Storage | FTP/SFTP; Micro SD card (512 GB); NAS |
| Browser | IE 9 and later versions Chrome 41 and later versions Firefox 50 and later versions Safari 10 and later versions |
| Management Software | DSS;DMSS |
| Mobile Client | iOS;Android |

Certifications

| | |
|----------------|--|
| Certifications | CE-EMC: EN 55032; EN 61000-3-3; EN 61000-3-2; EN 50130-4; EN 55035 CE-LVD: EN 62368-1 FCC: 47 CFR FCC Part15, Subpart B, NSI C63.4 |
|----------------|--|

Port

| | |
|--------------|-----------|
| Audio Input | 1 channel |
| Audio Output | 1 channel |

| | |
|---------------|--|
| Alarm Linkage | Capture; recording; send email; preset; tour; pattern; alarm digital input; audio; warning light |
| Alarm Event | Motion/tampering detection; audio detection; network disconnection detection; IP conflict detection; memory card state detection; memory space detection |
| Alarm I/O | 2/1 |
| Audio I/O | 1/1 |

Power

| | |
|-------------------|---|
| Power Supply | 24 VDC/2.5 A ± 25% (included) PoE+ (802.3at) |
| Power Consumption | Basic: 13 W Max.: 23 W (illuminator + red and blue warning light + speaker + PTZ working) |

Environment

| | |
|-----------------------|--|
| Operating Temperature | −40 °C to +70 °C (−40 °F to +158 °F) |
| Operating Humidity | ≤95% |
| Protection | IP66; TVS 6000 V lightning proof; surge protection; voltage transient protection |

Structure

| | |
|--------------------|--|
| Product Dimensions | 325.3 mm × Φ202.0 mm (12.81" × Φ7.95") |
| Net Weight | 4.6 kg (10.14 lb) |
| Gross Weight | 7.13 kg (15.72 lb) |

Ordering Information

| Type | Model | Description |
|------------------------------|-------------------------|--|
| 2MP TiOC WizSense PTZ Camera | DH-SD6C3232GB-HNR-A-PV1 | 2MP 32x TiOC WizSense Network PTZ Camera |
| | SD6C3232GB-HNR-A-PV1 | 2MP 32x TiOC WizSense Network PTZ Camera |
| Accessories | PFB305W | Wall Mount Bracket |
| | DC 24 V/2.5 A | Power Adapter |
| | PFA111 | Mount Adapter |
| | PFB301C | Ceiling Mount Bracket |
| | PFB300C | Ceiling Mount Bracket |
| | PFA126 | Junction Box |
| | PFA150 | Pole Mount Bracket |
| | PFA151 | Corner Mount Bracket |
| | PFB301S-E | Plane Mount Bracket |
| | PFB303S | Parapet Mount Bracket |

Accessories

Included:



PFB305W
Wall Mount Bracket



DC24V/2.5A
Power Adapter

Optional:



PFA111
Mount Adapter



PFB301C
Ceiling Mount
Bracket



PFB300C
Ceiling Mount Bracket



PFA126
Junction Box



PFA150
Pole Mount Bracket



PFA151
Corner Mount Bracket

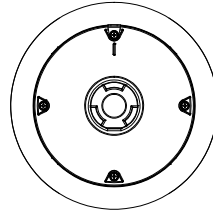
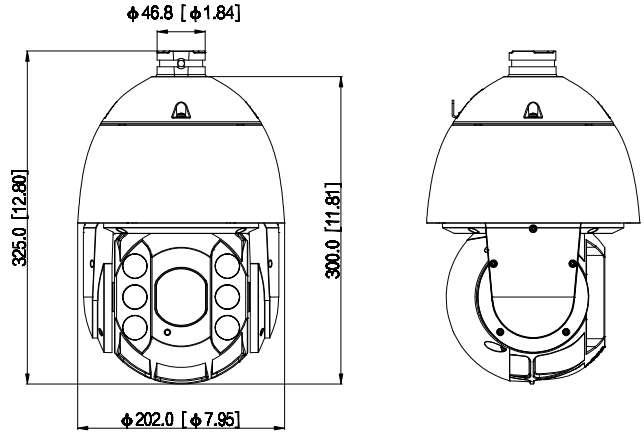


PFB301S-E
Plane Mount
Bracket



PFB303S
Parapet Mount
Bracket

Dimensions (mm[inch])



| Wall Mount | Ceiling Mount | Ceiling Mount |
|----------------------|----------------|------------------------|
| PFB305W+PFA126 | PFA111+PFB300C | PFA111+PFB301C |
| | | |
| Pole Mount(Vertical) | Corner Mount | Pole Mount(Horizontal) |
| PFB305W+PFA150 | PFB305W+PFA151 | PFA111+PFB300C+PFA150 |
| | | |
| Plane Mount | Parapet Mount | |
| PFB301S-E | PFA111+PFB303S | |
| | | |