

DHI-SSD-C900 PLUS

NVMe M.2 Solid State Drive



- Adopts high-quality 3D NAND wafer level chip.
- Supports PCIe3.0 x4 and NVMe 1.3 protocol.
- All-metal cooling plate is included; equipped with intelligent temperature control technology.
- Adopts TRIM to improve read/write performance and speed.
- Supports Max. Write technology for full-disk SLC cache.
- Supports LDPC ECC to enhance data reliability.
- Low power consumption management.

System Overview

As a new generation of NVMe SSD product launched by Dahua, C900 PLUS series adopts high-quality 3D NAND wafer level chip and advanced controller. It supports Gen3.0 and 4-channel high-speed broadband transmission with read speed up to 3400 MB/s and write speed up to 3,000 MB/s. The SSD is equipped with aluminum cooling plate to reduce temperature, and ensure stability and efficiency of the controller and flash memory chip for a longer time in high-load read and write.

Scene

As a consumer-grade NVMe M.2 SSD, the product is designed for tech-savvy high-end users, gamers and professionals, and is applicable to high workloads such as video production, editing and simulation.

Technical Specification

Technical

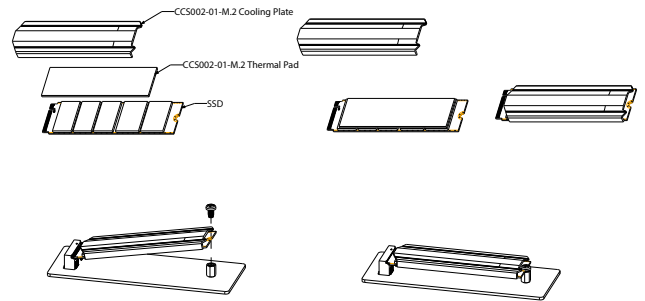
Product Model	DHI-SSD-C900VN256G	DHI-SSD-C900VN512G	DHI-SSD-C900VN1TB	DHI-SSD-C900VN2TB
Capacity ¹	256 GB	512 GB	1 TB	2 TB
Form Factor	M.2 2280			
Port	PCIe Gen 3.0 x 4			
Net Weight	Max. 8 g (0.02 lb)			
Product Dimensions ²	80.00 mm × 23.00 mm × 4.80 mm (3.15" × 0.91" × 0.19")			
Packaging Dimensions	130 mm × 104 mm × 17 mm (5.12" × 4.09" × 0.67")			
Memory Component	3D NAND FLASH			
Power Consumption ³	2.8 W (max); 0.17 W (idle)	3.689 W (max); 0.611 W (idle)	3.95 W (max); 0.05 W (idle)	4.15 W (max); 0.06 W (idle)

S.M.A.R.T	Yes			
TRIM	Yes			
Garbage Collection	Yes			
Sequential Read ³	Up to 3,300 MB/s	Up to 3,300 MB/s	Up to 3,400 MB/s	Up to 3,400 MB/s
Sequential Write ³	Up to 1,200 MB/s	Up to 2,700 MB/s	Up to 3,000 MB/s	Up to 3,000 MB/s
4K Random Read ³	Up to 124400	Up to 175800	Up to 151200	Up to 544300
4K Random Write ³	Up to 177900	Up to 113900	Up to 90600	Up to 403900
MTBF	1,500,000 hours			
Operating Temperature	0 °C to +70 °C (+32 °F to +158 °F)			
Storage Temperature	-40 °C to +85 °C (-40 °F to +185 °F)			
Operating Humidity	5%–95% (non-condensing)			
Vibration Resistance	10–200Hz, 0.5G			
Shock Resistance	1,500 G/0.5 ms (half sine wave)			
TBW	128 TB	256 TB	512 TB	2000 TB
Warranty ⁴	3-year limited warranty			
Reference Information	<ol style="list-style-type: none"> Capacity calculation: 1GB = 1 billion bytes (IDEMA). Actual available capacity might be reduced (due to formatting, partition, operating system applications, or other necessary usage). System configuration of performance test: Chip-Intel Z270 Chipset, Intel Core i7-7700K@4.2GHz, 8GB DDR4; operating system-Windows 10 x64; testing tool-CrystalDiskMark 8.11.2. Warranty period or maximum write amount (TBW), whichever comes first. High performance SLC cache has been enabled. <p>*Above data based on internal testing of Zhejiang Huayixin Technology Co., Ltd Laboratory.</p>			

Ordering Information

Type	Model	Description
C900 PLUS Series	DHI-SSD-C900VN256G	M.2 2280 PCIe G3x4 (Dramless) SSD DHI-SSD-C900VN256G
	DHI-SSD-C900VN512G	M.2 2280 PCIe G3x4 (Dramless) SSD DHI-SSD-C900VN512G
	DHI-SSD-C900VN1TB	M.2 2280 PCIe G3x4 (Dramless) SSD DHI-SSD-C900VN1TB
	DHI-SSD-C900VN2TB	M.2 2280 PCIe G3x4 (Dramless) SSD DHI-SSD-C900VN2TB

Installation



Dimensions (mm[inch])

