

# DHI-TPC-PT8441D

## Thermal Network Multi-spectral Pan & Tilt Camera



- Vanadium oxide uncooled focal plane detector.
- 4 Megapixel progressive scan CMOS.
- Visible lens offers 56× optical zoom.
- AI functions: heat detection, smoke detection, tripwire, intrusion, boat detection, and human/vehicle classification.
- Pan: 0° to 360° endless, tilt: -45° to +90°.
- Optical defog and Optical Image Stabilization (OIS).
- Auto rain-sensing wiper.
- Wide input voltage 24–57 VDC.
- IP66 rated.

Featuring thermal and visible channels, Thermal Network Multi-spectral Pan & Tilt Camera offers various AI functions such as heat detection, smoke detection, tripwire, intrusion, human/vehicle classification and boat detection. The camera has flexible configuration with the laser illuminator and laser ranging optional. It is widely applied in outdoor scenes of the long-distance perimeter protection and heat detection.

### Technical Specification

#### General

Appearance Thermal Network Multi-spectral Pan & Tilt Camera

Type Security

#### Thermal

Detector Type Vanadium oxide uncooled focal plane detector

Effective Pixels 400 (H) × 300 (V)

Pixel Pitch 17 μm

Spectral Range 8 μm–14 μm

Sensitivity (NETD) ≤35 mK

Focal Length 50 mm; 75 mm; 100 mm

Field of View  
50 mm: H: 7.8°; V: 5.8°  
75 mm: H: 5.2°; V: 3.9°  
100 mm: H: 3.9°; V: 2.9°

Focus Control Auto; Manual

Aperture  
50 mm: F1.0  
75 mm: F1.0  
100 mm: F1.1

Detection Distance<sup>①</sup>  
50 mm: Vehicle: 4,525 m (14,845.8 ft)  
Human: 1,471 m (4,826.12 ft)  
75 mm: Vehicle: 6,787 m (22,267.06 ft)  
Human: 2,206 m (7,237.53 ft)  
100 mm: Vehicle: 9,050 m (29,691.6 ft)  
Human: 2,941 m (9,648.95 ft)

#### Recognition Distance<sup>②</sup>

50 mm: Vehicle: 1,110 m (3,641.73 ft)  
Human: 378 m (1,240.16 ft)  
75 mm: Vehicle: 1,665 m (5,462.6 ft)  
Human: 567 m (1,860.24 ft)  
100 mm: Vehicle: 2,220 m (7,283.46 ft)  
Human: 756 m (2,480.31 ft)

#### Identification Distance<sup>③</sup>

50 mm: Vehicle: 560 m (1,837.27 ft)  
Human: 189 m (620.08 ft)  
75 mm: Vehicle: 840 m (2,755.91 ft)  
Human: 284 m (931.76 ft)  
100 mm: Vehicle: 1,120 m (3,674.54 ft)  
Human: 378 m (1,240.16 ft)

#### Note:

- ① Detection Distance: Detects objects, but cannot recognize their characteristics (objects must cover more than 3.6 pixels of the image).
- ② Recognition Distance: Classifies objects into general categories, such as human, vehicle (the object must cover more than 14 pixels of the image).
- ③ Identification Distance: Classifies objects into specific categories based on their characteristics, such as engineering truck, car (the object must cover more than 28 pixels of the image).

#### Digital Detail Enhancement (DDE)

Yes

#### Image Stabilization

Electronic Image Stabilization (EIS)

#### Digital Zoom

19 levels

#### AGC

Auto; Manual

#### Noise Reduction

2D NR; 3D NR

#### Image Flip

180°

#### Color Palettes

18 (white hot; black hot; fusion; rainbow; globow; ironbow1; ironbow2; sepia; color1; color2; icefire; rain; red hot; green hot; spring; summer; autumn; winter)

Visible

|                               |  |
|-------------------------------|--|
| Image Sensor                  | 1/1.8" CMOS  |
| Max. Resolution               | 2688 (H) × 1520 (V)  |
| Pixel                         | 4 MP   |
| Min. Illumination             | Color: 0.005 lux<br>Black & white: 0.0005 lux<br>0 lux (IR on)             |
| AGC                           | Auto; Manual   |
| Noise Reduction               | 2D NR; 3D NR   |
| S/N Ratio                     | >55 dB   |
| White Balance                 | Auto; manual; indoor; outdoor; tracking; sodium lamp; street lamp; natural |
| Defog                         | Optical defog  |
| Image Stabilization           | Optical Image Stabilization  |
| Electronic Shutter Speed      | 1 s–1/30,000 s (auto/manual)   |
| BLC                           | Yes  |
| WDR                           | Yes  |
| HLC                           | Yes  |
| Digital Zoom                  | Yes  |
| Day/Night                     | Auto (ICR); Color; B/W   |
| Image Flip                    | 180°   |
| Exposure Compensation         | Yes  |
| Focus Control                 | Auto; semi-auto; manual  |
| Focal Length                  | 6 mm–336 mm  |
| Zoom Speed                    | <8.8 s   |
| Field of View                 | H: 64.4°–1.28°<br>V: 38.37°–0.72°  |
| Close Focus Distance          | 0.1 m–5 m (0.33 ft–16.4 ft)  |
| Optical Zoom                  | 56×  |
| Aperture                      | F1.5–F5.3  |
| IR Illumination Distance      | 150 m (492.13 ft)  |
| IR Illuminator On/Off Control | Auto; Manual   |

Audio and Video

|                   |   |
|-------------------|---|
| Video Compression | H.265; H.264H; H.264  |
| Resolution        | Thermal:<br>Main stream: 1280 × 1024; 1280 × 960; 1280 × 720; 400 × 300; 1280 × 960 (default)<br>Sub stream: 640 × 512; 640 × 480; 400 × 300; 400 × 300 (default)<br>Visible:<br>Main stream: 2688 × 1520; 1920 × 1080; 1280 × 720; 704 × 576; 2688 × 1520 (default)<br>Sub stream: 704 × 576; 352 × 288; 352 × 288 (default) |

|                       |  |
|-----------------------|--|
| Video Frame Rate      | Thermal (50 Hz):<br>Main stream: 1 fps–50 fps, 50 fps by default<br>Sub stream: 1 fps–25 fps, 15 fps by default<br>Visible (50 Hz):<br>Main stream: 1 fps–25 fps, 25 fps by default<br>Sub stream: 1 fps–25 fps, 15 fps by default<br>Thermal (60 Hz):<br>Main stream: 1 fps–60 fps, 60 fps by default<br>Sub stream: 1 fps–30 fps, 15 fps by default<br>Visible (60 Hz):<br>Main stream: 1 fps–30 fps, 30 fps by default<br>Sub stream: 1 fps–30 fps, 15 fps by default |
| Audio Encoding        | G.711a; G.711mu; PCM   |
| Image Encoding Format | JPEG   |

PTZ

|                       |  |
|-----------------------|--|
| Pan/Tilt Range        | Pan: 0° to 360° endless<br>Tilt: –45° to +90°                            |
| Manual Control Speed  | Pan: 0.1°/s–140°/s<br>Tilt: 0.1°/s–50°/s                                 |
| Preset Speed          | Pan: 0.1°/s–140°/s<br>Tilt: 0.1°/s–50°/s                                 |
| Preset                | 300  |
| Tour                  | 8 (up to 32 presets per tour)  |
| Pattern               | 5  |
| Scan                  | 5  |
| Power-off Memory      | Yes  |
| Privacy Masking       | 4 blocks   |
| Idle Motion           | Preset; auto pattern; auto tour; pan; progressive scan                   |
| Timing Task           | Preset; auto pattern; auto tour; pan; progressive scan                   |
| Position Display      | ON/OFF   |
| Preset Video Freeze   | Yes  |
| Telephoto Speed Limit | Yes  |
| Positioning Accuracy  | ± 0.1°   |
| Wiper                 | Manual/Auto. Supports setting wiper running times, frequency, and period |
| 3D Positioning        | Yes  |

Laser Illumination (Optional)

|   |                      |
|---|----------------------|
| Laser Illumination Consumption            | 4.2 ± 0.4 W          |
| Laser Illumination Wavelength             | 850 ± 10 nm          |
| Laser Illumination Distance               | ≥800 m (2,624.67 ft) |
| Angle of Laser Illuminator                | 2° to 70° adjustable |
| Laser Zoom Speed                          | <5 s                 |
| Brightness Setting for Laser Illumination | Auto; Manual         |

Function

|               |     |
|---------------|-----|
| Two-way Audio | Yes |
|---------------|-----|

|                          |  |
|--------------------------|--|
| Network Protocol         | HTTP; HTTPS; TCP; ARP; RTSP; RTP; UDP; RTCP; SMTP; FTP; DHCP; DNS; DDNS; PPPOE; IPv4/v6; SNMP; QoS; UPnP; NTP; Multicast; SFTP; 802.1x               |
| Region of Interest (RoI) | Yes (customizable)   |
| Storage                  | FTP; Micro SD card (optional)  |
| Interoperability         | ONVIF; CGI; DaHuaSDK   |
| Browser                  | IE: IE8 and later (includes the browsers with IE kernel, such as 360 Explorer, Sougou Explorer)<br>Chrome: 42 and earlier<br>Firefox: 42 and earlier |
| User/Host                | Up to 12 (total bandwidth: 64 MB)  |
| Security                 | Authorized username and password; attached MAC address; encrypted HTTPS; IEEE 802.1x; controlled network access                                      |
| User Management          | Up to 20 users; supports multi-level user permissions (2 levels); management group and user group  |
| Malfunction Detection    | Network disconnection detection; IP conflict detection; memory card state detection; memory space detection  |
| PIP                      | Yes  |

### Intelligence

|                      |                                       |
|----------------------|---------------------------------------|
| Heat Detection       | Yes. Marks the detected anomaly.      |
| Cold/Hot Spot Trace  | Yes                                   |
| Perimeter Protection | Yes. Supports tripwire and intrusion. |
| Target Distinction   | Human/Vehicle Classification          |
| Target Filtering     | Yes                                   |
| Target Tracking      | Yes                                   |
| Smoke Detection      | Yes                                   |
| Boat Detection       | Yes                                   |

### Port

|               |   |
|---------------|---|
| Analog Output | 1 × CVBS output; BNC port   |
| Network Port  | 1 × RJ-45 (10/100 Base-T)   |
| Alarm Input   | 7   |
| Alarm Output  | 2   |
| Alarm Event   | No SD card; low SD card space; SD card error; network disconnection; IP conflict; motion detection; video tampering; intrusion; tripwire; audio detection; defocus on thermal channel |
| Audio Input   | 1   |
| Audio Output  | 1   |
| RS-485        | 1   |

### Power

|                   |                              |  |
|-------------------|------------------------------|--|
| Power Supply      | Wide input voltage 24–57 VDC |  |
| Power Consumption | IR 150 m                     | Basic: 39 W (IR off, heater off)<br>Max: 69 W (IR on, heater off);<br>92 W (IR on, heater on)                            |
|                   | Laser 800 m                  | Basic: 39 W (illuminator off, heater off)<br>Max: 66 W (illuminator on, heater off);<br>89 W (illuminator on, heater on) |

### Environment

|                       |                                      |
|-----------------------|--------------------------------------|
| Operating Temperature | –40 °C to +70 °C (–40 °F to +158 °F) |
| Operating Humidity    | ≤95%                                 |
| Storage Temperature   | –40 °C to +70 °C (–40 °F to +158 °F) |

### Physical Characteristics

|                      |   |
|----------------------|---|
| Protection           | IP66  |
| Reliability          | Surge protection: 6 kV<br>Air discharge: 15 kV<br>Contact discharge: 8 kV |
| Product Dimensions   | 520 mm × 266 mm × 427 mm (20.47" × 10.47" × 16.81")<br>(L × W × H)        |
| Packaging Dimensions | 722 mm × 675 mm × 443 mm (28.43" × 26.57" × 17.44")<br>(L × W × H)        |
| Net Weight           | ≤22 kg (48.50 lb)   |
| Gross Weight         | ≤25 kg (55.12 lb)   |
| Installation         | Desk mount  |
| Power Adapter        | Included  |
| Lens                 | Included  |
| PTZ Outlet           | Side  |

### Certification

|                |         |
|----------------|---------|
| Certifications | CE; FCC |
|----------------|---------|

### Heat Detection Distance

| Focal Length | Max. Distance          |
|--------------|------------------------|
| 50 mm        | 3,000 m (9,842.52 ft)  |
| 75 mm        | 4,500 m (14,763.78 ft) |
| 100 mm       | 6,000 m (19,685.04 ft) |

Note:  
The table displays the measured distances obtained from using the target size 2 m × 2 m for testing in an environment where the temperature is 23 °C and the relative humidity is below 60%.  
The table is for reference only. The distances within it are subject to actual conditions including atmospheric conditions, target size, the installation site, and more.

### Perimeter Protection Distance

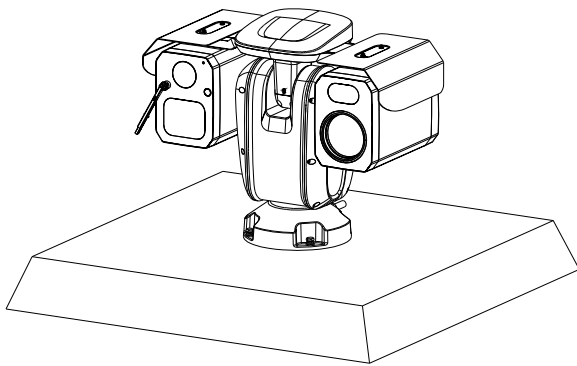
| Focal Length | Distance (Human)    | Distance (Vehicle)    |
|--------------|---------------------|-----------------------|
| 50 mm        | 350 m (1,148.29 ft) | 1,050 m (3,444.88 ft) |
| 75 mm        | 525 m (1,722.44 ft) | 1,575 m (5,167.32 ft) |
| 100 mm       | 700 m (2,296.59 ft) | 2,100 m (6,889.76 ft) |

Note:  
The table displays the measured distances obtained from using the target sizes 1.8 m × 0.5 m (human) and 1.4 m × 4 m (vehicle) for testing in an environment where the temperature is 23 °C and the relative humidity is below 60%.  
The table is for reference only. The distances within it are subject to actual conditions including atmospheric conditions, target size, the installation site, and more.

**Ordering Information**

| Type     | Model                                 | Description   |
|----------|---------------------------------------|---|
| Security | DHI-TPC-PT8441D-B50Z56-BC-DC48-S23    | Visible Focal Length: 6 mm–336 mm;<br>Thermal Focal Length: 50 mm;<br>IR Illumination Distance ≥150 m (492.13 ft)       |
|          | DHI-TPC-PT8441D-B75Z56-BC-DC48-S23    | Visible Focal Length: 6 mm–336 mm;<br>Thermal Focal Length: 75 mm;<br>IR Illumination Distance ≥150 m (492.13 ft)       |
|          | DHI-TPC-PT8441D-BM100Z56-BC-DC48-S23  | Visible Focal Length: 6 mm–336 mm;<br>Thermal Focal Length: 100 mm;<br>IR Illumination Distance ≥150 m (492.13 ft)      |
|          | DHI-TPC-PT8441D-BM100Z56L-BC-DC48-S23 | Visible Focal Length: 6 mm–336 mm;<br>Thermal Focal Length: 100 mm;<br>Laser Illumination Distance ≥800 m (2,624.67 ft) |

**Installation**



**Dimensions (mm[inch])**

