

DHI-VTA2502G



- One-click help.
- Built-in high-sensitivity microphone with clear sound and 2 speakers.
- Supports audio broadcast and group broadcast.
- PoE power supply.
- Supports 12V/1A power output.
- IP65 and IK10 rated.
- 4MP low-illumination CMOS camera and starlight image sensor.
- Supports recording videos, capturing snapshots and configuring the pre-recording time.

Technical Specification

System

Main Processor	Embedded Processor
Operating System	Embedded Linux OS
Button Type	Mechanical
Network Protocol	UDP; TCP; IPv4; RTSP; SIP; P2P; RTP

Basic

Camera	4MP CMOS high-definition, low illumination, cameras
Field of View	H: 104°; V: 57°; D: 113°
Video Compression	H.264; H.265
Video Resolution	Main stream: 1080p (up to 2512 x 1408); Sub stream: 1280 x 720
Video Bit Rate	224 Kbps–12 Mbps
Light Compensation	Auto IR
Day/Night	Auto(ICR)/Color/B/W
Audio Compression	G.711a; G.711Mu ;G.711u; PCM; MP3; G726
Audio Input	Built-in dual-way silicon microphone, external 3.5 mm audio input
Audio Output	Built-in dual speaker, external active speaker
Audio Mode	Two-way audio
Audio Enhancement	Echo suppression/digital noise reduction
Audio Bit Rate	16 KHz, 16 Bit

Function

Communication Mode	Full digital
Auto Snapshot	Yes

Storage	Micro SD Card, Max 64 GB
---------	--------------------------

Performance

Casing Material	Aluminum alloy
-----------------	----------------

Port

RS-485	1
Alarm Input	2
Alarm Output	2
Power Output	2 (12 V/1 A; 12 V/200 mA)
Network Port	2 × 10 M/100 M ports

Alarm

Tamper Alarm	Yes
--------------	-----

General

Appearance Color	Silver
Power Supply	12 VDC, 3 A; Standard PoE
Power Adapter	Optional
Installation	Surface Mount
Certifications	CE
Accessory	Surface mount box (optional)
Product Dimensions	190.0 mm × 120.0 mm × 42.0 mm (7.5" × 4.7" × 1.7")
Protection	IP65; IK10
Operating Temperature	−30 °C to +60 °C (-22 °F to +140 °F)
Operating Humidity	10%–90% (RH), non-condensing
Operating Environment	Outdoor

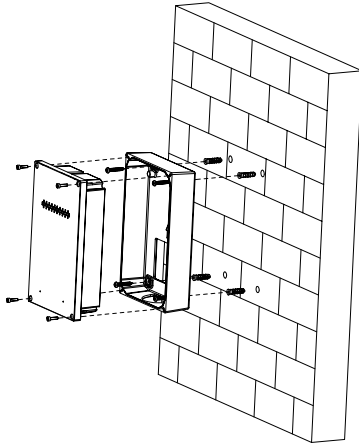
Ordering Information

Type	Model	Description
Video Intercom Terminal	DHI-VTA2502G	Emergency Call Terminal
Surface Mount Box	VTM134	Surface Mount Box

Application



Installation



Dimensions (mm[inch])

