

DHI-HY-1400

Addressable Input Module



- Convenient wiring: two-wire, polarity-free
- Reliable communication: built-in microprocessor, performance is stable
- Ultra-low power consumption: ultra-low monitoring current and operating current
- Simple installation: with a plug-in structure, easy to install and construct

System Overview

DHI-HY-1400 Addressable Input Module is a mated product of the Addressable Fire Alarm Control Panel, regulating the normal operation of external fire protection device. When the external device is abnormal, the Addressable Fire Alarm Control Panel will confirm a fire alarm according to the received message sent from the module. It can be connected with various passive, normally open on-off pieces of equipment, such as water flow indicators, pressure switches and other firefighting equipment.

Functions

Input detection

Monitor status of passive, normally open on-off pieces of equipment, i.e., fire damper, flow indicator, pressure switch, and signal valves.

Fast response

When there is a fire alarm, the signal is sent to the control panel within 1 second.

Input check mode

Input check mode is available. Enable Input Check Mode by default.

Scene

It is suitable for places with automatic fire alarm systems, fire emergency broadcasting systems, and background music systems, such as shopping malls, hotels, schools, factories and other civil or industrial buildings.

Technical Specification

Electrical

Working Voltage	24V DC
Current	Monitoring current: $\leq 150\mu\text{A}$ Operating current: $\leq 190\mu\text{A}$
Indicator	Red indicator flashes once every 6 seconds, and flashes once every 2 seconds when malfunctioned

Communication

Wiring	Two-wire, polarity-free
Addressing Method	Electrical encoder
Address Range	1-254
Communication Distance	≤ 1500 m

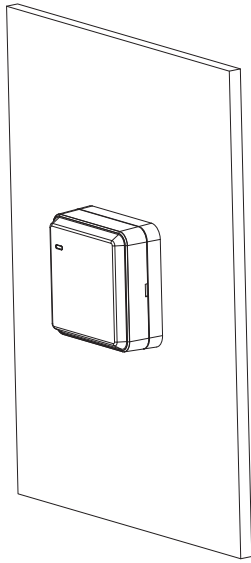
Environment

Operating Temperature	-10°C to $+55^{\circ}\text{C}$ ($+14^{\circ}\text{F}$ to $+131^{\circ}\text{F}$)
Storage Temperature	-20°C to $+65^{\circ}\text{C}$ (-4°F to $+149^{\circ}\text{F}$)
Operating Humidity	$\leq 95\%$ RH (no condensation)

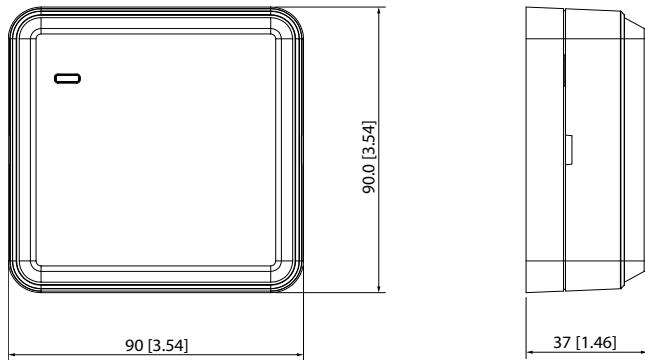
Construction

Color	White
Dimensions (with base)	90 mm \times 90 mm \times 37 mm (3.54" \times 3.54" \times 1.46")
Weight (with base)	103 g (0.23 lb)
Compliance Standard	EN54-18

Installation



Dimensions (mm/inch)



Ordering Information

Type	Part Number	Description
Addressable Input Module	DHI-HY-1400	Addressable Input Module
Accessories	DHI-HY-MKDZ1	Input Module Base