

# DHI-HY-C133

## Conventional Smoke Detector



- Four-wire, polarity-free realizes convenient wiring
- BLC algorithm automatically adjusts alarm threshold based on the smoke in the chamber, extending cleaning cycle and providing easier maintenance
- Non-loosening screws on base terminal for easy installation
- Contacts material is highly acid-resistant and rust-resistant

### System Overview

DHI-HY-C133 Conventional Smoke Detector is a mated product of the Conventional Fire Alarm Control Panel. Integrated with four-wire and polarity-free technology, this detector analyzes ambient smoke concentration through a dual photoelectric smoke sensing chamber.

### Functions

#### Built-in buzzer

With a built-in buzzer, the detector sends out audible alarm when a fire occurs.

#### Dual photoelectric smoke sensing chamber

The smart algorithm of automatic compensation against dust concentration helps adjust alarm threshold, prolong cleaning cycle of chamber, and offering a convenient maintenance.

#### Non-addressable

Without encoding, easy debugging and operating.

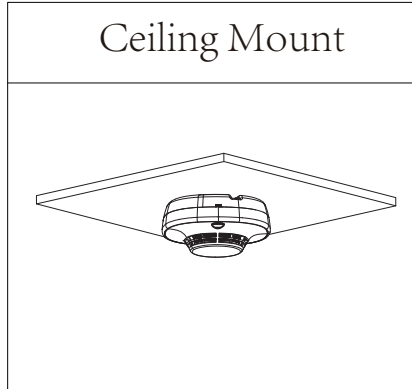
### Scene

It is suitable for apartments, hotels, teaching buildings, office buildings, banks, libraries, warehouses, computer rooms, communication machine rooms, archives, and other industrial and civil buildings.

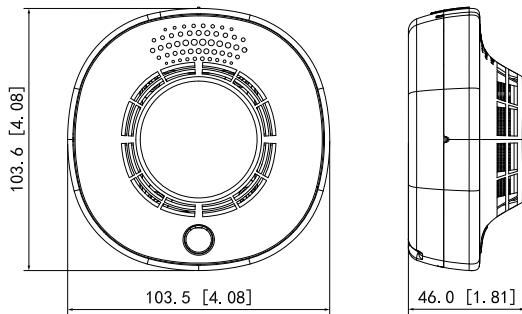
### Technical Specification

Working Voltage	DC 9V-28V
Current	Standby current: $\leq 350\mu\text{A}$ Alarm current: $\leq 100\text{mA}$
Alarm Mode	Visual and audible alarm
Coverage Area	$H \leq 4\text{ m (13.12 ft)}$ : $150\text{ m}^2$ $4\text{ m (13.12 ft)} \leq H \leq 12\text{ m (39.37 ft)}$ : $80\text{ m}^2$
Operating Temperature	$-10^{\circ}\text{C to }+55^{\circ}\text{C (+14}^{\circ}\text{F to }+131^{\circ}\text{F)}$
Operating Humidity	$\leq 95\% \text{ RH (no condensation)}$
Dimensions (with base)	$104\text{ mm} \times 103.6\text{ mm} \times 46\text{ mm (4.09" \times 4.08" \times 1.81")}$
Weight (with base)	$122\text{ g (0.27 lb)}$
Installation	Ceiling Mount

## Installation



## Dimensions (mm/inch)



## Ordering Information

Type	Part Number	Description
Conventional Smoke Detector	DHI-HY-C133	Conventional Smoke Detector