

# DH-PFC200D-18U6D

19" 18U Rack Cabinet



## Features

- Aesthetic design
- Standard 19" rack
- Support plane mount
- The four sides (around) of the cabinet are openable, convenient for construction installation and feature maintenance
- Cable entry on the top cover and bottom panel

## Technical Specification

<b>Model</b>	<b>DH-PFC200D-18U6D</b>
--------------	-------------------------

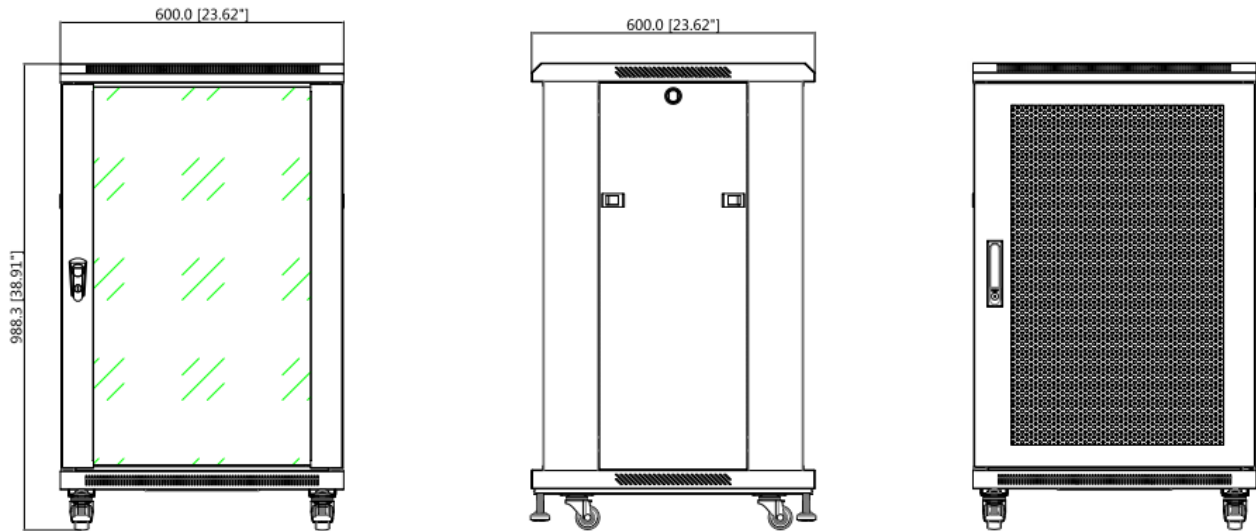
### General

Material	SPCC
Dimension (WxDxH)	600mmx600mmx990mm (23.62"x23.62"x38.98")
Mount	Plane mount
Weight	39.5kg(87.08lb)
Load Bearing	300kg(661.39lb)
Color	Black
Operating Temperature	-40 C ~+60 C (-40 F ~+140 F )
Humidity	<90% RH

## Ordering Information

Type	Model	Description
Cabinet	DH-PFC200D-18U6D	19" 18U rock cabinet, depth 600mm, load bearing 300kg, support plane mount
Accessories (Optional)	DH-PFC610-6D	19" rackmount tray
	ZZM10/PDU (8 European 250)	8 Outlet rackmount PDU power strip, max. AC250V rated input, 16A/max. 4000W output, European
	ZZM10/PDU (8 British 250)	8 Outlet rackmount PDU power strip, max. AC250V rated input, 13A/max. 3250W output, British
	ZZM10/PDU(8 USA 250)	8 Outlet rackmount PDU power strip, max. AC250V rated input, 10A/max. 2500W output, North American plug input/ universal output
	CFT04-66	Rackmount cooling fan, AC220V input

## Dimension(mm/inch)



## Package Information

- 19" 18U rack cabinet \*1
- Wrench \*1
- Door key \*4
- Caster wheel \*4
- Bolster \*4
- M6 screw \*20