

DH-PFM923I-6U-C

305m LSZH UTP CAT6 Cable



Network cables are the most commonly used transmission mediums in generic cabling system. It is usually composed of 4 pairs of twisted wires, and is generally applied in system cabling within 100 meters.

Features

- 305.0 m (1000 ft)/carton UTP CAT6, power over Ethernet, compatible with one cable
- High-purity Oxygen-Free Copper conductor material
- Customized LSZH outer sheath; meet CE CPR Eca or ANSI UL CM flame retardant class certified
- 10-year warranty

Technical Specification**Conductor**

Material	Oxygen free copper (99.97% purity)
Diameter	0.57 mm ± 0.01 mm(0.0224"±0.0004")
American Wire Gauge	23AWG

Insulation

Material	HDPE
Min. Average Thickness	0.21 mm(0.0082")
Diameter	1mm±0.05mm(0.0393"±0.0019")
Color (4 Pairs)	Blue, white/blue; orange, white/orange; green, white/green; brown, white/brown

Separator

Material	PE
Specification	Translucent 4.5 × 0.4 mm

Rip Cord

Material	Polyester
Specification	500D

Sheath

Material	LSZH
Min. Average Thickness	0.43 mm (0.0169")
Diameter	6.3 mm ± 0.5 mm (0.2480"±0.0196")
Color	Orange

Electrical

Max. DC Resistance of a Single Conductor	9.38Ω/100 m
Min. Insulation Resistance	5000MΩ·km
Max. DC Resistance Unbalance	≤5%
Dielectric Strength	No breakdown with 1KV DC for 1 min

Transmission

Characteristic Impedance (1-250MHz)	100 ± 15Ω
-------------------------------------	-----------

Mechanical

Tensile Strength	Sheath≥10 MPa, insulation≥16 MPa
Elongation at Break	Sheath≥125%, insulation≥300%
Installation Bending Radius	>8 times of outer cable diameter
Conductor Elongation at Break	≥10%

Environmental

Shrinkage of Insulation	≤5%
Color Migration Resistance of Insulation	No migration
Sheath Tensile Strength and Elongation at Break after Aging	≥8 MPa, ≥100%
Low Temperature Bending Test	No cracking after the test
Heat Shock Test	No cracking after the test

Operation Temperature	-20°C to +60°C (-4°F to 140°F)
Installation Temperature	0°C to +50°C (32°F to 122°F)
Storage Temperature and Humidity	-10°C to +40°C (14°F to 104°F), <60% (RH)

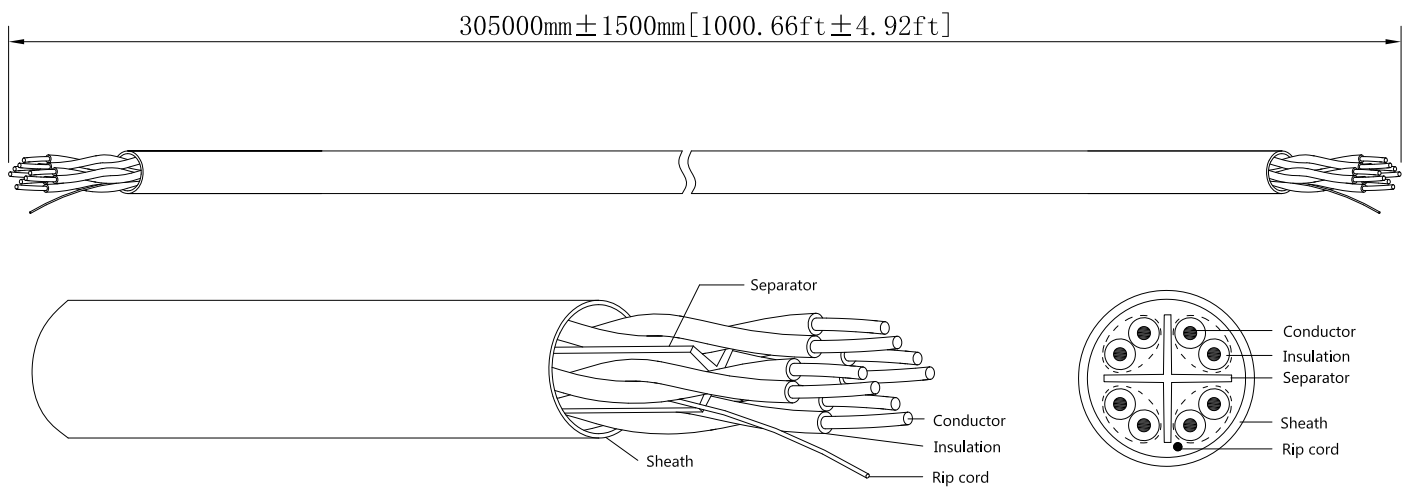
Certification

Certification	CPR Eca
---------------	---------

Ordering Information

Type	Model	Description
Network Cable	DH-PFM923I-6U-C	305m LSZH UTP CAT6 Cable

Dimensions (mm/inch)



Package Information

- 305m UTP CAT6 cable *1