

# HTI-UC390

## 8MP Web Camera



- 4K UHD Image Sensor  
Support multiple resolutions: 2160P@30fps/25fps, 1080P@30fps/25fps to best support the video quality, and its diagonal field of view can be up to 120°.
- Unified Interface USB 2.0  
Support plug and play, provides power supply, video and audio functions.
- Built-in Microphone  
Omnidirectional built-in microphone with 4 meters pickup distance, provides business-class audio performance.
- Low Light Performance  
The ultra-high SNR CMOS image sensor can effectively reduce image noise at low light conditions. Meanwhile, 2D and 3D noise reduction algorithms are employed to sharply reduce image noise. So the images keep clean and clear even under ultra-low light conditions.
- Easy Installation  
Free to mount the camera on top of screen or on desktop.

### Product Overview

HTI-UC390 is a 4K UHD USB camera that provides a professional-quality video and audio experience for users. It not only equips with best-in-class camera whose diagonal field of view is up to 120°, but also integrates built-in omnidirectional microphone that can clearly pick up audio from up to 4 meters away. HTI-UC390 can work with mainstream video conferencing platforms such as Cisco Webex, Zoom, Google Meet, Microsoft Teams, Skype and Vidyo, providing high compatibility and seamless integration for people in both business and life scenarios.

### Technical Specification

#### Camera

Sensor Type	1/2.8 inch CMOS, 8M pixel
Video Format	YUV: 480P@30fps/25fps; 360P@30fps/25fps MJPEG: 1080P@30fps/25fps; 720P@30fps/25fps; 480P@30fps/25fps; 360P@30fps/25fps H.264: 2160P@30fps/25fps; 1080P@30fps/25fps; 720P@30fps/25fps; 480P@30fps/25fps; 360P@30fps/25fps
Compression	H.264/MJPEG/YUV
UVC Protocol	UVC1.1/1.5
Field of View (H) / (D)	Horizontal: 110°; Diagonal: 120°
Delay	Image lag ≤ 170ms
Exposure	Auto, BLC
Shutter Speed	1/30s ~ 1/10000s

Digital Noise Reduction	2D & 3D Digital Noise Reduction
SNR	≥38dB
White Balance	Auto
Focal Length	2.2 mm±5%
Lens Interface	M12
Distortion	<1%
Close-up distance	0.35 m

#### Microphone

Position	Built-in
Pickup Distance	Omnidirectional, Pickup Distance Up to 4m
Audio Coding Format	16KHZ PCM
Beamforming	Support

#### General

Video Interface	1 * USB2.0
USB Cable Length	3 m
Working Status Indicator	Power-on White Light
Privacy Shade	Support
Power Supply	USB 5V

Color	Black
Max. Input Current	1A
Max. Power Consumption	Max 5W
Dimension	180mm*55mm*49mm(7.09"*2.17"*1.93")
Net Weight	325g
Box Dimension	221mm*140.5mm*82mm(8.7"*5.53"*3.23")
Box Weight (with 1 product)	708g
Protective Box Dimension	505mm*235mm*315mm(19.88"*9.25"*12.4")
Packaging Method	12 in 1
Operating Temperature	0~+50°(+32°F~+122°F)
Operating Humidity	< 80% (Noncondensing)
Continuous Operating Time	≥ 72 hours of continuous normal work (plug and play, 7*24h)
Storage Temperature	-10~+60°(-14°F~+140°F)
Storage Humidity	< 95% (Noncondensing)

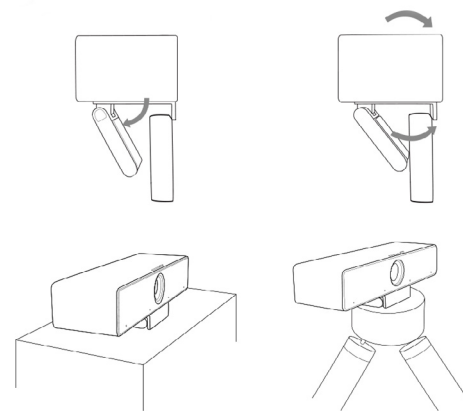
System Requirements

OS	Windows® 7 , Windows 8.1, Windows 10 or Higher macOS™ 10.10 or Higher Linux (UVC Protocol Required)
----	---

Certifications

Certifications	CE(EMC): EN 55032:2015+A11:2020,Class B; EN IEC 61000-3-2:2019; EN 61000-3-3:2013+A1:2019; EN 55024:2010+A1:2015; EN 55035:2017+A11:2020; EN 50130-4:2011+A1:2014 CE(LVD): EN 62368-1:2014+A11:2017; IEC 62368-1:2014 (Second Edition) FCC: 47 CFR FCC Part15, Subpart B, Class B
----------------	---

Installation



Dimensions (mm[inch])

