

DH-IPC-HFW1431M-A-I1-B-S4

4MP Entry IR Fixed-focal Eyeball Network Camera



Series Overview

With features of simple installation, easy operation, and high performance-cost ratio, Dahua Entry series network camera is applicable to small and medium-sized scenes, such as homes/residences, small-sized retail stores, and other small and medium-sized enterprises.

Functions

Smart H.265+ & Smart H.264+

With advanced scene-adaptive rate control algorithm, Dahua smart encoding technology realizes the higher encoding efficiency than H.265 and H.264, provides high-quality video, and reduces the cost of storage and transmission.

Motion Detection

When moving objects appear in the monitoring image, Dahua Motion Detection (General) technology triggers alarm or records.

Smart Illumination

Dahua Smart Illumination technology can display image in the environment of low illuminance or completely dark environment. According to the distance of the targets, the camera adjusts illuminations intensity automatically to display the details of the moving target.

Image Flip

For narrow and long scenes, Dahua image flip technology flips the image by 90°/180°/270° to realize better surveillance in rotation mode.

Cyber Security

Dahua network cameras employ a series of security technologies, including security authentication and authorization, access control protocols, trusted protection, encrypted transmission and encrypted storage. These technologies improve the camera's defense against external cyber threats and prevent malicious programs from compromising the device.

- 4-MP 1/2.7" CMOS image sensor, low luminance, and high definition image.
- Outputs max. 4 MP (2688 × 1520) @20 fps and supports 4 MP (2560 × 1440) @25/30 fps.
- H.265 codec, high compression rate, ultra-low bit rate.
- Built-in IR LED, and the max. illumination distance is 50 m.
- ROI, SMART H.264 +/H.265+, flexible coding, applicable to various bandwidth and storage environments.
- Rotation mode, WDR, 3D NR, HLC, BLC, digital watermarking, applicable to various monitoring scenes.
- Abnormality detection: motion detection, video tampering, audio detection, network disconnection, IP conflict, and illegal access.
- Built-in MIC.
- 12 VDC/PoE power supply.
- IP67 protection.



Protection (IP67, wide voltage)

IP67: The camera passes a series of strict test on dust and soak. It has dust-proof function, and the enclosure can work normal after soaking in 1 m deep water for 30 minutes.

Wide voltage: The camera allows ±30% (for some power supplies) input voltage tolerance (wide voltage range), and it is widely applied to outdoor environment with instable voltage.

Technical Specification						
Camera						
Image Sensor	1/2.7" CMOS					
Max. Resolution	2688 (H) × 1520 (V)					
ROM	16 MB					
RAM	128 MB					
Scanning System	Progressive					
Electronic Shutter Speed	Auto/Manual 1/3 s–1/100,000 s					
Min. Illumination	0.01 lux@F2.0 (Color, 30 IRE) 0.001 lux@F2.0 (B/W, 30 IRE) 0 lux (Illuminator on)					
S/N Ratio	> 56 dB					
Illumination Distance	3.6 mm: 30 m (98.43 ft) (IR) 6 mm: 50 m (164.04 ft) (IR)					
Illuminator On/Off Control	Auto; Manual					
Illuminator Number	1 (IR LED)					
Lens						
Lens Type	Fixed-focal					
Lens Mount	M12					
Focal Length	3.6 mm; 6 mm					
Max. Aperture	3.6 mm: F2.0 6 mm: F2.0					
Field of View	3.6 mm: Horizontal: 84°; Vertical: 45°; Diagonal: 100° 6 mm: Horizontal: 51°; Vertical: 29°; Diagonal: 59°					
Iris Control	Fixed					
Close Focus Distance	3.6 mm: 1.2 m (3.94 ft) 6 mm: 2.6 m (8.53 ft)					
DORI Distance	Lens	Detect	Observe	Recognize	Identify	
	3.6 mm	70.0 m (249.34 ft)	30.4 m (99.74 ft)	15.2 m (49.87 ft)	7.6 m (41.99 ft)	
	6 mm	116.0 m (380.58 ft)	46.4 m (152.23 ft)	23.2 m (76.12 ft)	11.6 m (38.06 ft)	
Video						
Video Compression	H.265; H.264; H.264B; MJPEG (Only supported by the sub stream)					
Smart Codec	Smart H.265+; Smart H.264+					
Video Frame Rate	Main Stream: 2688 × 1520 (1–20 fps) 2560 × 1440 (1–25/30 fps) Sub Stream: 704 × 576 (1–20/25 fps) 704 × 480 (1–20/30 fps) *The values above are the max. frame rates of each stream; for multiple streams, the values will be subjected to the total encoding capacity.					
Stream Capability	2 streams					
Resolution	2688 × 1520 (2688 × 1520); 2560 × 1440 (2560 × 1440); 2304 × 1296 (2304 × 1296); 1080p (1920 × 1080); 1.3M (1280 × 960); 720p (1280 × 720); D1 (704 × 576/704 × 480); VGA (640 × 480); CIF (352 × 288/352 × 240)					
Bit Rate Control	CBR/VBR					
Video Bit Rate	H.264: 32 kbps–6144 kbps H.265: 12 kbps–6144 kbps					
Day/Night	Auto(ICR)/Color/B/W					
BLC	Yes					
HLC	Yes					
WDR	120 dB					
White Balance	Auto; natural; street lamp; outdoor; manual; regional custom					
Gain Control	Auto; Manual					
Noise Reduction	3D NR					
Motion Detection	OFF/ON (4 areas, rectangular)					
Region of Interest (RoI)	Yes (4 areas)					
Smart Illumination	Yes					
Mirror	Yes					
Privacy Masking	4 areas					
Audio						
Built-in MIC	Yes					
Audio Compression	G.711a; G.711Mu; G.726; PCM					
Alarm						
Alarm Event	Network disconnection; IP conflict; illegal access; motion detection; video tampering; audio detection; security exception					
Network						
Network Port	RJ-45 (10/100 Base-T)					
SDK and API	Yes					
Cyber Security	Video encryption; configuration encryption; Digest; WSSE; account lockout; security logs; generation and importing of X.509 certification; trusted boot; trusted execution; trusted upgrade					
Network Protocol	IPv4; IPv6; HTTP; TCP; UDP; ARP; RTP; RTSP; SMTP; FTP; DHCP; DNS; DDNS; NTP; Multicast					
Interoperability	ONVIF (Profile S/Profile T); CGI; Milestone; P2P					
Storage	FTP					
Browser	IE Chrome Firefox					
Management Software	Smart PSS; DSS; DMSS					
Mobile Client	IOS; Android					
Certification						
Certifications	CE-LVD: EN62368-1 CE-EMC: Electromagnetic Compatibility Directive 2014/30/EU FCC: 47 CFR FCC Part 15, Subpart B					
Power						
Power Supply	12 V DC/PoE					

Entry Series | DH-IPC-HFW1431M-A-I1-B-S4

Power Consumption	Basic: 2.1 W (12 VDC); 2.9 W (PoE) Max. (ICR + H.265 + IR intensity): 3.9 W (12 VDC); 4.9 W (PoE)
Environment	
Operating Temperature	-40 °C to +60 °C (-40 °F to +140 °F)
Operating Humidity	≤ 95%
Storage Temperature	-40 °C to +60 °C (-40 °F to +140 °F)
Protection	IP67

Structure	
Casing	Metal + plastic
Product Dimensions	162.6 mm × 70 mm × 70 mm (6.38" × 2.76" × 2.76") (L × W × H)
Net Weight	0.63 kg (1.39 lb)
Gross Weight	1.24 kg (2.73 lb)

Ordering Information		
Type	Part Number	Description
IP Camera	DH-IPC-HFW1431M-A-I1-B-S4	4MP Entry IR Fixed-focal Eyeball Network Camera
Accessories (optional)	PFB120WS	Wall Mount
	PFB110W	Ceiling Mount
	PFB121W	Wall Mount
	PFB121W+PFA152-E	Pole Mount (Vertical)
	PFA162+PFA150	Pole Mount (Horizontal)

Accessories

Included:



PFB120WS
Wall Mount

Optional:



PFB110W
Ceiling Mount



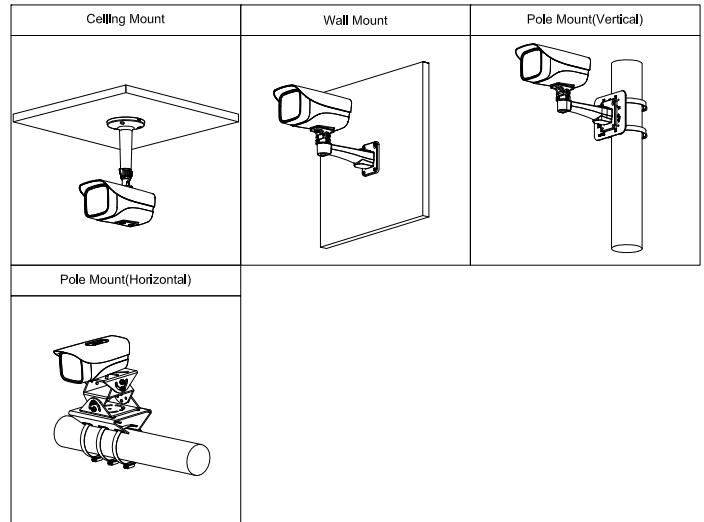
PFB121W
Wall Mount



PFB121W+PFA152-E
Pole Mount (Vertical)



PFA162+PFA150
Pole Mount (Horizontal)



Dimensions (mm[inch])

