

DH-SD3A210-GN-A-PV

2MP IR and Warm Light Full-color Network PTZ Camera



- 1/3" 2Megapixel STARVIS™ CMOS
- IR distance up to 30 m
- H.265 Encoding
- PoE
- Max. 25/30 fps@2M
- IVS



Two-way Audio



Sound and Light Alarm



Smart Dual Illuminators



Human Detection



Tripwire



Intrusion

System Overview

The Active Defense series of small PTZ cameras raises the bar on performance. After detecting an intrusion, it triggers sound and light alarms, and then instantly relays vital information on the intrusion to the mobile client, keeping you informed no matter where you are. It supports two-way talk, allowing you to communicate with people in front of the camera in real time. It also uses IR to present vivid images in black and warm for nighttime monitoring.

Functions

IVS

With advanced video algorithm, Dahua IVS technology supports intelligent functions, such as tripwire and intrusion.

Smart Dual Illuminators

Dahua Smart Dual Illuminators technology adopts smart algorithm to detect targets. Usually, the IR illuminator is on at night; when the target appears in the monitoring area, the warm light is on, and the camera records the full-color video and information of key events. That is, the camera links snapshot and video with full-color image. When the target is out of the monitoring area, the warm light is off and the IR illuminator is on, which reduces light pollution efficiently.

Wide Dynamic Range

The camera produces vivid images, even in high-contrast lighting conditions, by using industry-leading wide dynamic range (WDR) technology. For scenes that quickly alternate between bright and low lighting, WDR adjusts to fully capture both the bright and dark areas of a scene, producing superior quality videos.

Siren and Light Active Deterrence

The camera supports the warm light alarm and voice alarm when perimeter event occurs, to realize the deterrence and effective intervention. The camera is built in the alarm voice, and supports customized voice importing.

Smart H.265+

Smart H.265+ is the optimized implementation of the H.265 codec that uses a scene-adaptive encoding strategy, dynamic GOP, dynamic ROI, a flexible multi-frame reference structure and intelligent noise reduction to deliver high-quality videos without straining the network. Smart H.265+ technology outranks standard H.265 video compression, reducing bit rate and storage requirements by up to 70%.

Scene

It is suitable for families, fish ponds, orchards, rural courtyards, small factories, supermarkets and other places.

Technical Specification

Camera

| | |
|-----------------------------|---|
| Image Sensor | 1/3" CMOS |
| Pixel | 2 MP |
| Max. Resolution | 1920 (H) × 1080 (V) |
| ROM | 128 MB |
| RAM | 128 MB |
| Electronic Shutter Speed | 1/3 s–1/100,000 s |
| Scanning System | Progressive |
| Min. Illumination | Color: 0.05 lux@F1.7 B/W: 0.005 lux@F1.7 0 lux (IR/warm light on) |
| Illumination Distance | 30 m (98.42 ft) (IR) 15 m (49.2 ft) (warm light) |
| Illumination On/Off Control | Auto; Manual; Off |
| Illumination Number | 4 (IR) 2 (warm light) |

Lens

| | | | | |
|----------------------|---|--------------------|--------------------|-------------------|
| Focal Length | 2.8–28 mm | | | |
| Max. Aperture | F1.7–F3.0 | | | |
| Field of View | H: 90.7°–22.2°; V: 48.2°–12.6°; D: 107.6°–25.9° | | | |
| Focus Control | Auto; semi-auto; manual | | | |
| Close Focus Distance | 1 m (3.28 ft) | | | |
| Iris Control | Fixed | | | |
| DORI Distance | Detect | Observe | Recognize | Identify |
| | 206.6 m (677.82 ft) | 82.6 m (270.99 ft) | 41.3 m (135.49 ft) | 20.7 m (67.91 ft) |

PTZ

| | |
|----------------------|---|
| Pan/Tilt Range | Pan: 0° to 355° Tilt: –15° to +90° |
| Manual Control Speed | Pan: 0.1°/s–26°/s Tilt: 0.1°/s–17.5°/s |
| Preset Speed | Pan: 26°/s; Tilt: 17.5°/s |
| Preset | 300 |
| Power-off Memory | Yes |

Smart Event

| | |
|-----------------|---------------------|
| IVS | Tripwire; intrusion |
| Human Detection | Yes |

Active Deterrence

| | |
|---------------|--|
| Light Warning | Warm light warning Flash duration: 5 s–30 s Flash frequency: High, medium, low |
| Sound Warning | Sound warning alarm: Customizable Alarm duration: 10 s, 20 s, 30 s |

Video

| | |
|----------------------|---|
| Video Compression | Smart H.265+; H.265; Smart H.264; H.264; H.264B; MJPEG (Sub Stream 1) |
| Streaming Capability | 2 Streams |
| Resolution | 1080p (1920 × 1080); 720p (1280 × 720); D1 (704 × 576/704 × 480); CIF (352 × 288/352 × 240) |
| Video Frame Rate | Main stream: 1080p/1.3M/720p (1–25/30 fps) Sub stream 1: D1/CIF (1–25/30 fps) |
| Bit Rate Control | CBR; VBR |
| Video Bit Rate | H.264: 32 kbps–8192 kbps H.265: 32 kbps–8192 kbps |
| Day/Night | Auto (ICR); Color; B/W |
| BLC | Yes |
| WDR | DWDR |
| HLC | Yes |
| Warm Balance | Auto; indoor; outdoor; tracking; manual; sodium lamp; natural light; street lamp |
| Gain Control | Auto; manual |
| Noise Reduction | 2D NR; 3D NR |
| Motion Detection | Yes |
| Image Rotation | 180° |
| S/N Ratio | ≥55 dB |

Audio

| | |
|-------------------|---|
| Audio Compression | G.711a; G.711Mu; G.726; AAC; MPEG2-Layer2; G722.1; G729; G723 |
|-------------------|---|

Network

| | |
|---------------------|--|
| Network Port | RJ-45 (10/100 Base-T) |
| Network Protocol | HTTP; HTTPS; TCP/IP; IPv4; RTSP; UDP; SMTP; NTP; DHCP; DNS; DDNS; IPv6; SSL; FTP; ARP; RTCP; RTP; IP Filter; RTMP; TCP |
| Interoperability | ONVIF (Profile S&T); CGI |
| Streaming Method | Unicast; Multicast |
| User/Host | 20 |
| Storage | FTP; Micro SD card (256 GB) |
| Browser | IE 7 and later versions Chrome 42 and earlier versions Firefox 52 and earlier versions Safari |
| Management Software | Smart PSS; DMSS; player; configtool; NVR; Smart Player |
| Mobile Client | iOS; Android; iPhone; iPad; Windows Phone |

Certification

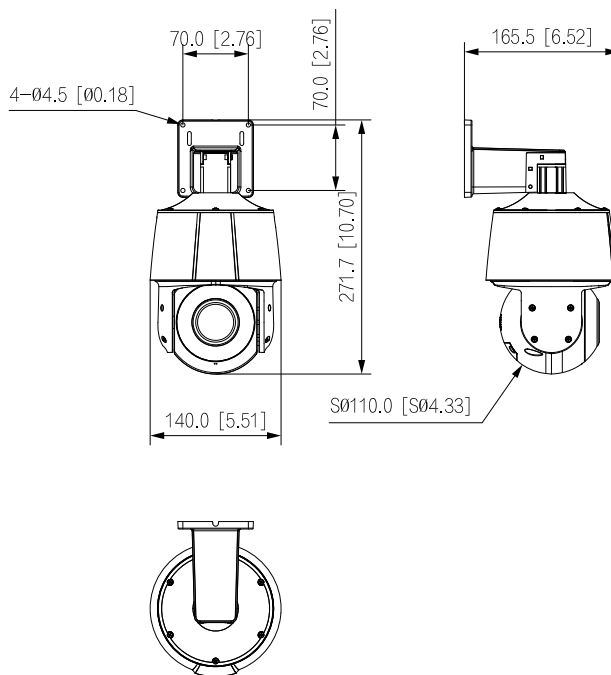
| | |
|----------------|--|
| Certifications | CE: EN55032/EN55024/EN50130-4 FCC: Part15 subpartB, ANSI C63.4-2014 |
|----------------|--|

Port

| | |
|-------------|--------------------------|
| Audio Input | 1 channel (built-in Mic) |
|-------------|--------------------------|

| | |
|-----------------------|--|
| Audio Output | 1 channel (built-in speaker) |
| Audio I/O | 1/1 |
| Two-way Audio | Yes |
| Alarm Linkage | Capture; preset; recording; send email; audio |
| Alarm Event | Motion/tampering detection; audio detection; network disconnection detection; IP conflict detection; memory card state detection; memory space detection |
| Power | |
| Power Supply | 12 VDC, 1.5 A (±10%) PoE (802.3af) |
| Power Consumption | Basic: 2.5 W Max.: 12.95 W (illuminator) |
| Environment | |
| Operating Temperature | -30 °C to 60 °C (-22 °F to +140 °F) |
| Operating Humidity | ≤95% |
| Protection | IP66; TVS 2000 V lightning proof; surge protection; voltage transient protection |
| Structure | |
| Product Dimensions | 271.7 mm × 165.5 mm × 140 mm (10.70" × 6.52" × 5.51") |
| Net Weight | 1.07 kg (2.36 lb) |
| Gross Weight | 1.46 kg (3.21 lb) |

Dimensions (mm[inch])



| Ordering Information | | |
|------------------------|--------------------|---|
| Type | Model | Description |
| 2M Camera | DH-SD3A210-GN-A-PV | 2MP IR and Warm Light Full-color Network PTZ Camera |
| | SD3A210-GN-A-PV | 2MP IR and Warm Light Full-color Network PTZ Camera |
| Accessories (Optional) | DC12V/1.5A | Power Adapter |

Accessories

Optional:



DC12V/1.5A
Power Adapter

| Wall Mount | Ceiling Mount | Pole Mount (Vertical) |
|------------|---------------|-----------------------|
| / | / | / |
| | | |