

# EB-VTO4801G-P

## Sub Door Station



- Thin lightweight design
- -30°C to +60°C (-22°F to +140°F) operating temperature
- IP65 (Silicone sealant is need. For details, see the quick start guide.).
- IR illumination and night vision
- Two-way audio and voice call through app
- Tamper alarm
- Standard PoE

### Technical Specification

#### System

Main Processor	Embedded processor
Operating System	Embedded Linux operating system
Button Type	Mechanical
Interoperability	ONVIF
Network Protocol	SIP; P2P; IPv4; DNS; RTSP; RTP; TCP; UDP

#### Basic

Camera	1/2.8" 2MP CMOS high definition, low illumination/WDR/color/IR
Field of View	Horizontal: 125°; vertical: 72°; diagonal: 142°
WDR	120dB
Noise Reduction	3D noise reduction
Video Compression	H.264
Video Resolution	Main stream: WVGA, 720P, D1 Sub stream: CIF, WVGA, QVGA, 1080P, D1
Video Frame Rate	PAL:25 fps NTSC:30 fps
Video Bit Rate	256K to 4M
Light Compensation	Auto IR
Day/Night	ICR auto switch

Audio Compression	G.711Mu; G.711u; PCM
Audio Input	1
Audio Output	Built-in speaker
Audio Mode	Two-way audio
Audio Enhancement	Echo suppression and cancellation/digital noise reduction
Audio Bit Rate	16KHz, 16Bit

#### Function

Communication Mode	Full digital
Auto Snapshot	Auto snapshot can only be enabled on indoor monitors
Leave Videos	Yes (insert an SD card into the indoor monitor)
Web Configuration	Yes

#### Performance

Casing	PC+Acrylic
--------	------------

#### Port

Network	1 10M/100M network port
---------	-------------------------

#### Alarm

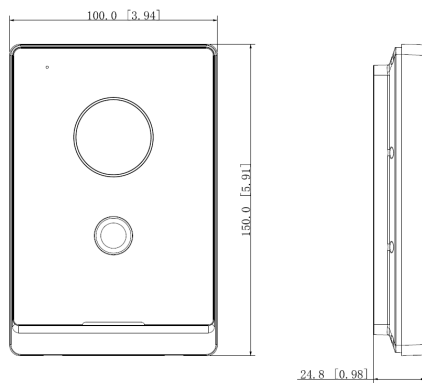
Tamper	Yes
--------	-----

#### General

Color	Black plate & silvery frames
-------	------------------------------

Power Supply	12V DC 1A Standard PoE
Installation	Surface mount
Certifications	CE/FCC
Accessory	Brackets and alarm ribbon cable
Dimensions	150 mm × 100 mm × 24.8 mm (5.91" × 3.94" × 0.98")
Protection Grade	IP65 (silicone sealant is needed, see the quick start guide)
Operating Temperature	-30°C to + 60°C (-22°F to +140°F)
Operating Humidity	10%RH-90%RH (non-condensing)
Operating Environment	Outdoor
Operating Altitude	Beneath 3000 m (9842.51 ft)
Power Consumption	Standby≤1W, working≤7W
Gross Weight	490 g (1.08 lb)

## Dimensions (mm[inch])



## Application

