

# DH-IPC-HDW3888EMP-AS-AUS

8MP WDR Eyeball Network CAMERA



Wiz Sense

Launched by Dahua Technology, WizSense is a series of AI products and solutions that adopt independent AI chip and deep learning algorithm. It focuses on human and vehicle with high accuracy, enabling users to fast act on defined targets. Based on Dahua's advanced technologies, WizSense provides intelligent, simple and inclusive products and solutions.

## Series Overview

With advanced deep learning algorithm, Dahua WizSense 3 Series network camera supports intelligent functions, such as perimeter protection and smart motion detection. With starlight technology, this series camera provides a better image effect in the condition of low illuminance.

## Functions

### Smart H.265+ & Smart H.264+

With advanced scene-adaptive rate control algorithm, Dahua smart encoding technology realizes the higher encoding efficiency than H.265 and H.264, provides high-quality video, and reduces the cost of storage and transmission.

### Motion Detection

When moving objects appear in the monitoring image, Dahua Motion Detection technology triggers alarm or records.

### WDR

With advanced Wide Dynamic Range (WDR) technology, Dahua network camera provides clear details in the environment of strong brightness contrast. The bright and dark area can get clear video even in high brightness environment or with backlight shadow.

- 8 MP 1/1.8" CMOS image sensor, low luminance, and high definition image.
- Outputs max. 8 MP (3840 × 2160)@30 fps. H.265 codec, high compression rate, ultra-low bit rate.
- Built-in IR LED, and the max. illumination distance is 50 m.
- ROI, SMART H.264 +/H.265+, AI H.264/H.265, flexible coding, applicable to various bandwidth and storage environments.
- Rotation mode, WDR, 3D NR, HLC, BLC, digital watermarking, applicable to various monitoring scenes.
- Intelligent monitoring: Intrusion, tripwire, (the two functions support the classification and accurate detection of vehicle and human).
- Abnormality detection: Motion detection, privacy masking, scene changing, audio detection, no SD card, SD card full, SD card error, network disconnection, IP conflict, illegal access, and voltage detection.
- Supports max. 256 G Micro SD card.
- 12 VDC/PoE power supply.
- IP67 protection.
- SMD 3.0



## Cyber Security

Dahua network cameras employ a series of security technologies, including security authentication and authorization, access control protocols, trusted protection, encrypted transmission and encrypted storage. These technologies improve the camera's defense against external cyber threats and prevent malicious programs from compromising the device.

## Protection (IP67, Wide Voltage)

**IP67:** The camera passes a series of strict test on dust and soak. It has dust-proof function, and the enclosure can work normally after soaking in 1 m deep water for 30 minutes.

**Wide voltage:** The camera allows  $\pm 30\%$  (for some power supplies) input voltage tolerance (wide voltage range), and it is widely applied to outdoor environment with instable voltage.

### Technical Specification

#### Camera

|                            |   |
|----------------------------|---|
| Image Sensor               | 1/1.8" CMOS   |
| Max. Resolution            | 3840 (H) × 2160 (V)   |
| ROM                        | 128 MB  |
| RAM                        | 1 GB  |
| Scanning System            | Progressive   |
| Electronic Shutter Speed   | Auto/Manual 1/3 s–1/100,000 s   |
| Min. Illumination          | 0.003 lux@F1.4 (Color, 30 IRE);<br>0.0004 lux@F1.4 (B/W, 30 IRE);<br>0 lux (Illuminator on) |
| S/N Ratio                  | >56 dB  |
| Illumination Distance      | 30 m (98.43 ft)   |
| Illuminator On/Off Control | Auto; Manual  |
| Illuminator Number         | 2 (IR LED)  |
| Pan/Tilt/Rotation Range    | Pan: 0°–360°<br>Tilt: 0°–78°<br>Rotation: 0°–360°   |

#### Lens

|                      |  |                     |                    |                   |                   |
|----------------------|--|---------------------|--------------------|-------------------|-------------------|
| Lens Type            | Fixed-focal  |                     |                    |                   |                   |
| Lens Mount           | M16  |                     |                    |                   |                   |
| Focal Length         | 2.8 mm; 3.6 mm   |                     |                    |                   |                   |
| Max. Aperture        | F1.4   |                     |                    |                   |                   |
| Field of View        | 2.8 mm: H 111°; V: 59°; D: 131°<br>3.6 mm: H: 87°; V: 47°; D: 102° |                     |                    |                   |                   |
| Iris Control         | Fixed  |                     |                    |                   |                   |
| Close Focus Distance | 2.8 mm: 1.8 m (5.91 ft)<br>3.6 mm: 2.5 m (8.20 ft)                 |                     |                    |                   |                   |
| DORI Distance        | Lens   | Detect              | Observe            | Recognize         | Identify          |
|                      | 2.8 mm   | 85.4 m (280.18 ft)  | 34.2 m (112.20 ft) | 17.1 m (56.10 ft) | 8.5 m (27.89 ft)  |
|                      | 3.6 mm   | 106.0 m (347.77 ft) | 42.4 m (139.11 ft) | 21.2 m (69.55 ft) | 10.6 m (34.78 ft) |

#### Intelligence

|                            |  |
|----------------------------|--|
| IVS (Perimeter Protection) | Intrusion, tripwire(the two functions support the classification and accurate detection of vehicle and human)    |
| SMD 3.0                    | Yes  |
| Smart Search               | Works together with Smart NVR to perform refine intelligent search, event extraction and merging to event videos |

#### Video

|                   |  |
|-------------------|--|
| Video Compression | H.265; H.264; H.264H; H.264B; MJPEG (Only supported by the sub stream) |
| Smart Codec       | Smart H.265+; Smart H.264+   |
| AI Coding         | AI H.265; AI H.264   |

|                             |  |
|-----------------------------|--|
| Video Frame Rate            | Main stream: 3840 × 2160 (1 fps–25/30 fps);<br>Sub stream: D1 (1 fps–25/30 fps);<br>Third stream: 1080p (1 fps–25/30 fps) ;<br>*The values above are the max. frame rates of each stream; for multiple streams, the values will be subjected to the total encoding capacity. |
| Stream Capability           | 3 streams  |
| Resolution                  | 3840 × 2160; 3072 × 2048; 3072 × 1728; 2592 × 1944; 2688 × 1520; 2048 × 156; 2304 × 1296; 1080p (1920 × 1080); 1.3 M (1280 × 960); 720p (1280 × 720); D1 (704 × 576/704 × 480); VGA (640 × 480); CIF (352 × 288/352 × 240)   |
| Bit Rate Control            | CBR/VBR  |
| Video Bit Rate              | H.264:3 kbps–20480 kbps;<br>H.265:3 kbps–20480 kbps  |
| Day/Night                   | Auto(ICR)/Color/B/W  |
| BLC                         | Yes  |
| HLC                         | Yes  |
| WDR                         | 140 dB   |
| Scene Self-adaptation (SSA) | Yes  |
| White Balance               | Auto; natural; street lamp; outdoor; manual; regional custom   |
| Gain Control                | Auto; Manual   |
| Noise Reduction             | 3D NR  |
| Motion Detection            | OFF/ON (4 areas, rectangular)  |
| Region of Interest (RoI)    | Yes (4 areas)  |
| Defog                       | Yes  |
| Image Rotation              | 0°/90°/180°/270° (Support 90°/270° with 4 M resolution and lower)  |
| Mirror                      | Yes  |
| Privacy Masking             | 8 areas  |

#### Audio

|                   |                                    |
|-------------------|------------------------------------|
| Built-in MIC      | Yes                                |
| Audio Compression | PCM; G.711a; G.711Mu; G.726; G.723 |

#### Alarm

|             |   |
|-------------|---|
| Alarm Event | No SD card; SD card full; SD card error; network disconnection; IP conflict; illegal access; motion detection; video tampering; tripwire; intrusion; scene changing; audio detection; voltage detection; SMD; stay detection; security exception; defocus detection |
|-------------|---|

#### Network

|                  |   |
|------------------|---|
| Network Port     | RJ-45 (10/100 Base-T)   |
| SDK and API      | Yes   |
| Network Protocol | IPv4; IPv6; HTTP; HTTPS; TCP; UDP; ARP; RTP; RTSP; RTCP; RTMP; SMTP; FTP; SFTP; DHCP; DNS; DDNS; QoS; UPnP; NTP; Multicast; ICMP; IGMP; NFS; SAMBA; PPPoE; 802.1x; SNMP |
| Interoperability | ONVIF (Profile S/Profile G/Profile T); CGI; Milestone; P2P  |
| User/Host        | 20 (Total bandwidth: 80 M)  |

|                     |   |
|---------------------|---|
| Storage             | FTP; SFTP; Micro SD card (Support max. 256 G); NAS  |
| Browser             | IE: IE8 and later;<br>Chrome;<br>Firefox  |
| Management Software | Smart PSS; DSS; DMSS  |
| Mobile Client       | iOS; Android  |
| Cyber Security      | Configuration encryption; trusted execution; Digest; security logs; WSSE; account lockout; syslog; video encryption; 802.1x; IP/MAC filtering; HTTPS; trusted upgrade; trusted boot; firmware encryption; generation and importing of X.509 certification |

**Certification**

|                |   |
|----------------|---|
| Certifications | CE-LVD: EN62368-1<br>CE-EMC: Electromagnetic Compatibility Directive 2014/30/EU<br>FCC: 47 CFR FCC Part 15, Subpart B<br>UL/CUL: UL62368-1 & CAN/CSA C22.2 No. 62368-1-14 RCM |
|----------------|---|

**Power**

|                   |  |
|-------------------|--|
| Power Supply      | 12 VDC/PoE (802.3af)   |
| Power Consumption | Basic: 3.7 W (12 VDC); 4.6 W (PoE)<br>Max. (H.265 + 3 streams + intelligence + IR): 6.7 W (12 VDC); 7.8 W (PoE); Basic: 3.7 W (12 VDC); 4.6 W (PoE)<br>Max. (H.265 + 3 streams + intelligence + IR): 6.7 W (12 VDC); 7.8 W (PoE) |

**Environment**

|                       |                                      |
|-----------------------|--------------------------------------|
| Operating Temperature | -40 °C to +60 °C (-40 °F to +140 °F) |
| Operating Humidity    | ≤95%                                 |
| Storage Temperature   | -40 °C to +60 °C (-40 °F to +140 °F) |
| Protection            | IP67                                 |

**Structure**

|                    |                                      |
|--------------------|--------------------------------------|
| Casing Material    | Metal                                |
| Product Dimensions | 93.6 mm × Φ106.0 mm (3.69" × Φ4.17") |
| Net Weight         | 0.5 kg (1.10 lb)                     |
| Gross Weight       | 0.68 kg (1.50 lb)                    |

**Ordering Information**

| Type                   | Model                    | Description                    |
|------------------------|--------------------------|--------------------------------|
| 8MP Camera             | DH-IPC-HDW3888EMP-AS-AUS | 8MP WDR Eyeball Network CAMERA |
| Accessories (Optional) | PFA130-E                 | Water-proof Junction Box       |
|                        | PFB204W                  | Wall Mount Bracket             |
|                        | PFA152-E                 | Pole Mount Bracket             |
|                        | PFA106                   | Mount Adapter                  |
|                        | PFB220C                  | Ceiling Mount Bracket          |
|                        | PFM321D                  | 12 VDC 1 A Power Adapter       |
|                        | PFM900-E                 | Integrated Mount Tester        |
| TF-P100                | MicroSD Memory Card      |                                |

**Accessories**

Optional:



PFA130-E  
Water-proof  
Junction Box



PFB204W  
Wall Mount  
Bracket



PFA152-E  
Pole Mount  
Bracket



PFA106  
Mount  
Adapter



PFB220C  
Ceiling Mount  
Bracket



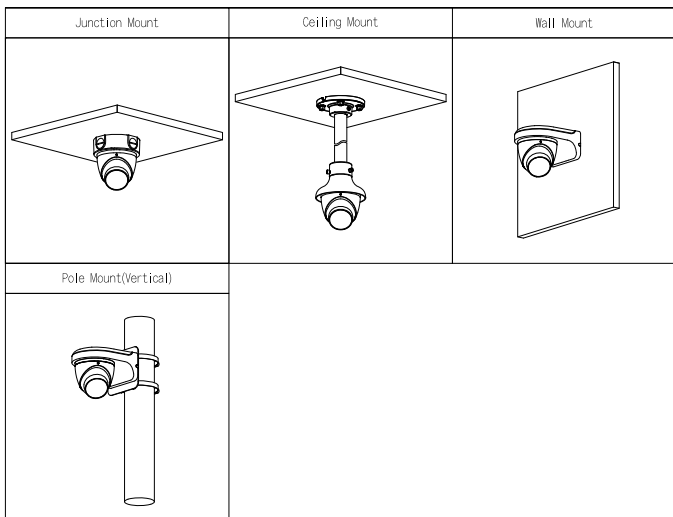
PFM321D  
12V DC 1A  
Power Adapter



PFM900-E  
Integrated  
Mount Tester



TF-P100  
MicroSD  
Memory Card



**Dimensions (mm[inch])**

