

DH-HAC-HFW1509C-LED

5MP Full-color HDCVI Bullet Camera



Full-color

* The parameters and datasheets below can only be applied to 1509-S2 series.
* In order to use the 5MP 16:9 HDCVI camera, the firmware of XVR must be upgraded to V4.001.0000001.0.R.200908 or later version.

- Max 25 fps@5MP (16:9 video output)
- 120 dB true WDR, 3D NR
- 24/7 color imaging
- 20 m illumination distance
- CVI/CVBS/AHD/TVI switchable
- 3.6 mm fixed lens (2.8 mm optional)
- IP67, 12 V DC



System Overview

Lite Series is suitable for users who requires high quality monitoring products at a reasonable price. It is cost effective and offers high performance, which makes it an ideal choice for residential and small-medium business applications. This series offers an option of a wide range of technologies such as Full-color and Starlight, providing various solutions for different scenarios.

Functions

Full-color

Full-color camera adopts large aperture lens and high performance sensor. With higher amount of absorbed light and advanced image processing algorithm, the camera provides 24/7 color monitoring that collects clear and vivid information, significantly increasing probability of gathering valid human, vehicle, and event evidence that can be used for further intelligent analysis.

Broadcast-quality Audio

Audio information is used as supplementary evidence in video surveillance applications. The HDCVI camera supports audio signal transmission over coaxial cable. In addition, it adopts unique audio processing and transmission technology that best restores source audio and eliminates noise, guaranteeing the quality and effectiveness of collected audio information.

*This function is available for select models.

Wide Dynamic Range

With advanced Wide Dynamic Range (WDR) technology, Dahua HDCVI camera provides clear details in the environment of strong brightness contrast. The bright and dark area can get clear video even in high brightness environment or with backlight shadow.

Super Adapt

Embedded with intelligent algorithm, for changing external environment, camera can automatically adjust parameters to present the optimal image, and it solves the trouble of configuration.

Advanced 3D NR

3D NR is noise reduction technology that detects and eliminates random noises by comparing two sequential frames. Dahua's advanced 3D NR technology allows remarkable noise reduction with little impact to sharpness, especially under limited lighting condition. Besides, the advanced 3D NR effectively decreases the band width and saves the storage space.

Warm Supplemental Lights

With warm supplemental LED lights, the camera is able to provide a colorful and vivid image even in total darkness. By default, the camera is set to smart light mode, in which the camera can automatically adjust the exposure time and light sensitivity simultaneously to avoid overexposure of the objects in the image center.

4 Signals over 1 Coaxial Cable

HDCVI technology supports 4 signals to be transmitted over 1 coaxial cable simultaneously, i.e. video, audio*, data and power. Dual-way data transmission allows the HDCVI camera to interact with the XVR, such as sending control signal or triggering alarm. Moreover, HDCVI technology supports PoC for construction flexibility.

* Audio input is available for some models of HDCVI cameras.

Long Distance Transmission

HDCVI technology guarantees real-time transmission at long distance without any loss. It supports up to 700 m transmission for 2MP/5MP/8MP HD video via coaxial cable, and up to 300 m via UTP cable.

*Actual results verified by real-scene testing in Dahua's test laboratory.

Protection (IP67, Wide voltage)

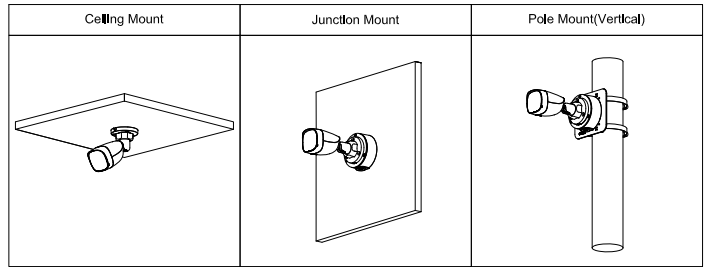
IP67: The camera passes a series of strict test on dust and soak. It has dust-proof function, and the enclosure can works normal after soaking in 1 m deep water for 30 minutes.

Wide voltage: The camera allows $\pm 30\%$ (for some power supplies) input voltage tolerance (wide voltage range), and it is widely applied to outdoor environment with instable voltage.

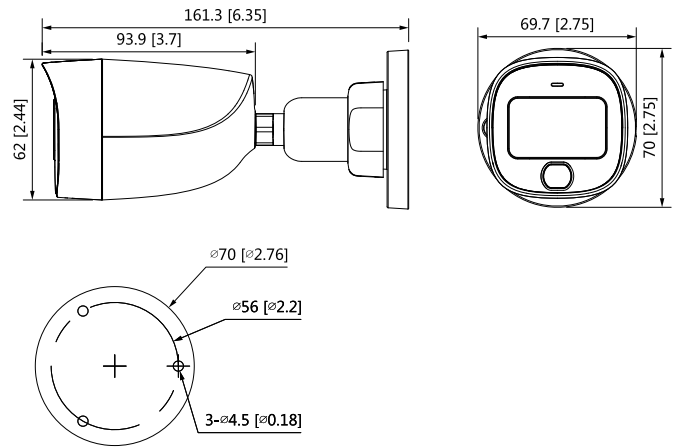
Technical Specification					
Camera					
Image Sensor	5MP CMOS				
Max. Resolution	2880 (H) × 1620 (V)				
Pixel	5MP				
Scanning System	Progressive				
Electronic Shutter Speed	PAL:1/3 s–1/100,000 s NTSC:1/4 s–1/100,000 s				
S/N Ratio	> 65 dB				
Min. Illumination	0.001 Lux/F1.0, 0 Lux warm light on				
Illumination Distance	20 m (65.61 ft)				
Illuminator On/Off Control	Auto; manual				
Illuminator Number	1				
Pan/Tilt/Rotation Range	Pan: 0°–360° Tilt: 0°–90° Rotation: 0°–360°				
Lens					
Lens Type	Fixed lens				
Mount Type	M12				
Focal Length	2.8 mm; 3.6 mm				
Max. Aperture	F1.0				
Field of View	2.8 mm: H: 112°; V: 57°; D: 132° 3.6 mm: H: 88°; V: 46°; D: 104°				
Iris Type	Fixed iris				
Close Focus Distance	2.8 mm: 1.6 m (5.25 ft); 3.6 mm: 2.3 m (7.5 ft)				
DORI Distance	Lens	Detect	Observe	Recognize	Identify
	2.8 mm	67.4 m (212.3 ft)	27.0 m (88.6 ft)	13.5 m (44.3 ft)	6.7 m (22.0 ft)
	3.6 mm	80.0 m (262.5 ft)	32.0 m (105.0 ft)	16.0 m (52.5 ft)	8.0 m (26.2 ft)
Video					
Frame Rate	CVI: PAL: 5M@25 fps; 4M@25 fps; 1080p@25 fps NTSC: 5M@25 fps; 4M@30 fps; 1080p@30 fps AHD: PAL: 4M@25 fps; NTSC: 4M@30 fps TVI: PAL: 4M@25 fps; NTSC: 4M@30 fps CVBS: PAL: 960H; NTSC: 960H				
Resolution	5M (2880 × 1620); 4M (2560 × 1440); 1080p (1920 × 1080); 960H (960 × 576/960 × 480)				
BLC	BLC/HLC/WDR/HLC-Pro				
WDR	120 dB				
White Balance	Auto; Area WB				
Gain Control	Auto; manual				
Noise Reduction	3D NR				
Smart Light	Yes				
Mirror	Off/On				
Privacy Masking	Off/On (8 areas, rectangle)				
Certifications					
Certifications	CE (EN55032, EN55024, EN50130-4, EN60950-1) FCC (CFR 47 FCC Part 15 subpartB, ANSI C63.4-2014) UL (UL60950-1+CAN/CSA C22.2 No.60950-1)				
Port					
Video Output	Video output choices of CVI/TVI/AHD/CVBS by one BNC port				
Audio Input	None				
Power					
Power Supply	12 V ±30% DC				
Power Consumption	Max 4.4 W (12 V DC, warm light on)				
Environment					
Operating Temperature	–40 °C to +60 °C (–40 °F to +140 °F); < 95% (non-condensation)				
Storage Temperature	–40 °C to +60 °C (–40 °F to +140 °F); < 95% (non-condensation)				
Protection Grade	IP67				
Structure					
Casing	Metal front cover + plastic main body + plastic bracket				
Camera Dimensions	161.3 mm × 69.7 mm × 70.0 mm (6.35" × 2.75" × 2.75")				
Net Weight	0.23 kg (0.51 lb)				
Gross Weight	0.33 kg (0.73 lb)				

Ordering Information

Type	Model	Description
5MP Camera	DH-HAC-HFW1509CP-LED	5MP Full-color HDCVI Bullet Camera, PAL
	DH-HAC-HFW1509CN-LED	5MP Full-color HDCVI Bullet Camera, NTSC
Accessories (Optional)	PFA134	Junction box
	PFA130-E	Water-proof Junction Box
	PFA152-E	Pole Mount Bracket (For use with PFA130-E Water-proof Junction Box)
	PFM800-4K	Passive HDCVI Balun
	PFM321D	12V 1A Power Adapter
	PFM904	Integrated Mount Tester



Dimensions (mm[inch])



Accessories

Optional:



PFA134
Junction box



PFA130-E
Water-proof Junction Box



PFA152-E
Pole Mount Bracket
(For use with PFA130-E
Water-proof Junction Box)



PFM800-4K
Passive HDCVI Balun



PFM321D
12 V 1A Power Adapter



PFM904
Integrated Mount Tester